

PRODUCT PASS

1 GENERAL EXPLANATION

The following paragraphs indicate the performances which can be declared on the Declaration of Performance (DoP) in accordance with Regulation (EU) no. 305/2011 of the European Parliament and of the Council of 9 March 2011.

The listed characteristics are the essential characteristics for external pedestrian doorsets according to hEN 14351-1:2006+A2:2016 Windows and doors - Product standard, performance characteristics - Part 1: Windows and external pedestrian doorsets.

All essential characteristics should be mentioned on the DoP. Where no performance is required, NPDP (No Performance Declared) can be used.

The mentioned performances are performances which can be achieved for the given dimensions when the product is fabricated following the Reynaers instruction manual (catalogue). The performances as mentioned will meet the requirements of the majority of projects.

Higher performances for smaller dimensions or lower performances for larger dimensions might be possible. In this case contact your Reynaers office. For AWW performances, the maximum dimensions indicated in the system catalogue must be respected.

It is obviously allowed to declare lower performances than those mentioned in the product pass. E.g. when resistance to wind load of 1600 Pa was tested, also 1200 Pa can be declared.

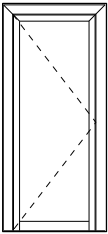
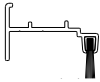

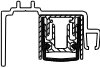

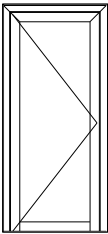
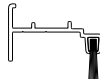

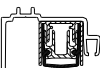
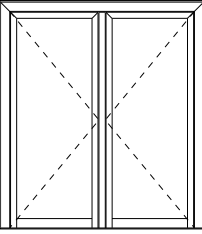
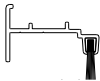

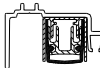
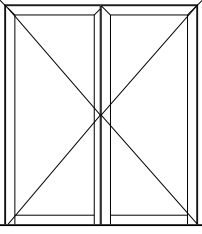



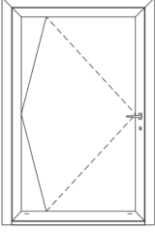
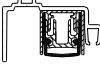
In the second part of the table the non-essential characteristics are indicated. These are the characteristics which give information about the performance of a product, but which are not legally required in any European country and thus not mandatory to declare.

2 NOTIFIED BODIES

ID	Name	Address	Country
0074	CENTRE D'EXPERTISE DU BÂTIMENT ET DES TRAVAUX PUBLICS	Domaine De Saint-Paul – 102, Route de Limours 78471 Saint-Remy-Les-Chevreuse Cedex	France
0432	MATERIALPRÜFUNGSAMT NORDRHEIN-WESTFALEN	Auf den Thränen 2 59597 Erwitte	Germany
0679	CENTRE SCIENTIFIQUE ET TECHNIQUE DU BÂTIMENT	84, Avenue Jean Jaurès Champs-sur-Marne F-77447 Marne-la-Vallée Cedex 2	France
0744	SOCOTEC	Les Quadrants – 3,Avenue du Centre – Guyancourt 78182 St-Quentin en Yvelines	France
0749	BELGIAN CONSTRUCTION CERTIFICATION ASSOCIATION	Aarlenstraat 53 1040 Brussel	Belgium
0757	IFT ROSENHEIM	Theodor-Gietl-Strasse 7-9 83026 Rosenheim	Germany
0845	DANISH INSTITUTE OF FIRE AND SECURITY TECHNOLOGY	Jernholmen, 12 2650 Hvidovre	Denmark
0960	SKG-IKOB	Poppenbouwing 56 4191 NZ Geldermalsen	Netherlands
1136	BELGIAN BUILDING RESEARCH INSITUTE	Lombardstraat 42 1000 Brussel	Belgium
1234	EFFECTIS NEDERLAND	Brandpuntlaan Zuid 16, Postbus 554 2665 ZN Bleiswijk	Netherlands
1288	WINTTECH ENGINEERING LIMITED	Halesfield 2 Telford,Shropshire TF7 4QH	United Kingdom
1309	PRÜFINSTITUT SCHLÖSSER UND BESCHLÄGE, VELBERT	Wallstrasse 41 42551 Velbert	Germany
1488	INSTYTUT TECHNIKI BUDOWLANEJ	ul. Filtrowa 1 00-611 Warszawa	Poland
1671	PEUTZ	Lindenlaan 41, Molenhoek PO Box 66 6585 ZH MOOK	Netherlands
1749	TNO DEFENCE, SECURITY AND SAFETY	Lange Kleiweg 137, Postbus 45 2280 AA Rijswijk	Netherlands
1769	UNIVERSITY OF GENT	Sint-Pietersnieuwstraat 41 9000 Gent	Belgium
2211	INSTITUTO DE INVESTIGAÇÃO E DESENVOLVIMENTO TECNOLÓGICO PARA A CONSTRUÇÃO, ENERGIA, AMBIENTE E SUSTENTABILIDADE	Rua Pedro Hispano Pólo II da Universidade de Coimbra 3030-289 Coimbra	Portugal

3 VARIANTS

Different variants have been grouped based on similar design and following the guidelines of the harmonised standard.

Opening type	Covered variants			Window doors
 <p>Single-inward opening</p>	 <p>5.1</p>	 <p>5.2</p>	 <p>5.3</p>	 <p>5.4</p>
 <p>Single-outward opening</p>	 <p>5.5</p>	 <p>5.6</p>	 <p>5.7</p>	
 <p>Double-inward opening</p>	 <p>5.8</p>	 <p>5.9</p>	 <p>5.10</p>	
 <p>Double-outward opening</p>	 <p>5.11</p>	 <p>5.12</p>	 <p>5.13</p>	
 <p>Pivot door</p>			 <p>5.14</p>	

Remark: the pictures shown of the different bottom solutions do not always represent the real bottom solution for this series, but are just a general sketch to give an indication which type of bottom solution is meant.

4 EXPLANATIONS AND SYMBOLS

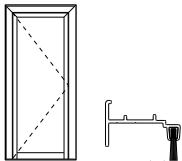
H: Element Height
B: Element Width
Fh: Vent Height
Fb: Vent Width
npd: No Performance Declared
CWFT: Classification Without Further Testing

⁽¹⁾ Impact resistance only valid with tubular or L-shaped glazing beads

⁽²⁾ Because of the same profile design, characteristics are based on test results for CS 86-HI

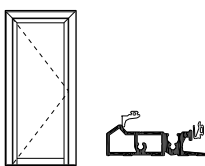
5 PERFORMANCE

5.1 Flush doors / Single-inward opening / Brush



Characteristic		Performance		Notified body - Report	Limits (mm)	
Essential characteristics						
EN 14351-1	4.2	Resistance to wind load	C2 (800 Pa)		[0960] – 09.1005 ⁽²⁾	FbxFh < 1352x2204
	4.5	Watertightness	4A (150 Pa)		[0960] – 09.1005 ⁽²⁾	FbxFh < 1352x2204
	4.6	Dangerous substances	In the materials delivered by Reynaers, no dangerous substances as indicated in hEN 14351-1 are used.			
	4.7	Impact resistance	5 ⁽¹⁾		[0960] – 09.1168 ⁽²⁾	FbxFh > 604x1739
	4.8	Load-bearing capacity of safety devices	npd			
	4.9	Height & width	See 6			
	4.11	Acoustic performance	Glass: 34 (-1;-4)	Doors: 23 (-1;-2)	[0757] – 18-000457-PR03 (GAS-C01-04-en-01)	FbxFh = 889~1304 x 2062~2942
	4.12	Thermal transmittance	Ud to be calculated in function of the project. Pre-calculated U-values for dimensions 1230x2180mm can be found in the Uf-value tables. Uf-values are calculated under certification of BCCA: certificate BPCB-420-72-10077/2.			
	4.13	Radiation properties	These properties must be evaluated by the CE-label of the glass			
	4.14	Air permeability	2		[0960] – 09.1005 ⁽²⁾	FbxFh < 1352x2204
Non-essential characteristics						
EN 14351-1	4.4.1	Reaction to fire	Anodized: A1 Painted: A2 Gaskets: E	EC decision 96/603/EC certificate P155748 [0432] – 230006500-6		
	4.16	Operating forces	1		[0960] – 18.00012.2	FbxFh < 1400 x 3000 256 kg
	4.17	Mechanical strength	4		[0960] – 09.1090 ⁽²⁾	FbxFh < 1327x2904 168 kg
	4.18	Ventilation	npd			
	4.19	Bullet resistance (BP version)	npd			
	4.20	Explosion resistance	npd			
	4.21	Resistance to repeated opening and closing	8 (1.000 000)		[0960] – 18.00012.2	FbxFh < 1400 x 3000 256 kg
	4.22	Behaviour between different climates	npd			
	4.23	Burglar resistance (AP version)	RC2 RC3		[0960] – 18.00012-1 [1136] – CAR 17358	See report

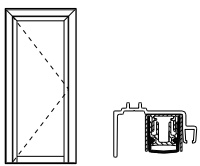
5.2 Flush doors / Single-inward opening / Bottom profile



Characteristic		Performance		Notified body - Report	Limits (mm)		
Essential characteristics							
EN 14351-1	4.2	Resistance to wind load	C2 (800 Pa)		[0960] – 15.00646 Rev.A ⁽²⁾	FbxFh < 1400x2600	
	4.5	Watertightness	7A (300 Pa)		[0960] – 15.00646 Rev.A ⁽²⁾	FbxFh < 1400x2600	
	4.6	Dangerous substances	In the materials delivered by Reynaers, no dangerous substances as indicated in hEN 14351-1 are used.				
	4.7	Impact resistance	5 ⁽¹⁾	[0960] – 09.1168 ⁽²⁾	FbxFh > 604x1739		
	4.8	Load-bearing capacity of safety devices	npd				
	4.9	Height & width	See 6				
	4.11	Acoustic performance	Glass: 34 (-1;-4) 41 (-2;-4) 50 (-2;-8)	Doors: 37 (-2;-5) 39 (-2;-4) 43 (-2;-4) ⁽³⁾	[0757] – 18-000457-PR03 (GAS-C01-04-en-01)	FbxFh = 889~1279 x 2062~2452	
	4.12	Thermal transmittance	Ud to be calculated in function of the project. Pre-calculated U-values for dimensions 1230x2180mm can be found in the Uf-value tables. Uf-values are calculated under certification of BCCA: certificate BPCB-420-72-10077/2.				
	4.13	Radiation properties	These properties must be evaluated by the CE-label of the glass				
	4.14	Air permeability	4	[0960] – 15.00646 Rev.A ⁽²⁾	FbxFh < 1400x2600		
Non-essential characteristics							
EN 14351-1	4.4.1	Reaction to fire	Anodized: A1 Painted: A2 Gaskets: E	EC decision 96/603/EC certificate P155748 [0432] – 230006500-6			
	4.16	Operating forces	1	[0960] – 18.00012.2	FbxFh < 1400 x 3000 256 kg		
	4.17	Mechanical strength	4	[0960] – 09.1090 ⁽²⁾	FbxFh < 1327x2904 168 kg		
	4.18	Ventilation	npd				
	4.19	Bullet resistance (BP version)	npd				
	4.20	Explosion resistance	npd				
	4.21	Resistance to repeated opening and closing	8 (1.000 000)	[0960] – 18.00012.2	FbxFh < 1400 x 3000 256 kg		
	4.22	Behaviour between different climates	npd				
	4.23	Burglar resistance (AP version)	RC2 RC3	[0960] – 18.00012-1 [1136] – CAR 17358	See report		

⁽³⁾ For casement W x H ≤ 1050 x 2200. For casement W x H ≤ 1304 x 2942: 42 (-2;-4)

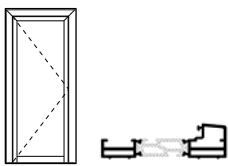
5.3 Flush doors / Single-inward opening / Automatic bottom seal



Characteristic		Performance		Notified body - Report	Limits (mm)	
Essential characteristics						
EN 14351-1	4.2	Resistance to wind load	B2 (800 Pa) C2 (800 Pa) ⁽³⁾	[0960] – 18.00012.0	FbxFh < 1348x2500 FbxFh < 1352x2204	
	4.5	Watertightness	3A (100 Pa) 5B (200 Pa) ⁽³⁾	[0960] – 18.00012.0	FbxFh < 1348x2500 FbxFh < 1352x2204	
	4.6	Dangerous substances	In the materials delivered by Reynaers, no dangerous substances as indicated in hEN 14351-1 are used.			
	4.7	Impact resistance	5 ⁽¹⁾	[0960] – 09.1168 ⁽²⁾	FbxFh > 604x1739	
	4.8	Load-bearing capacity of safety devices	npd			
	4.9	Height & width	See 6			
	4.11	Acoustic performance	Glass: 34 (-1;-4) 41 (-2;-4) 50 (-2;-8)	Doors: 33 (-2;-5) 34 (-1;-3) 35 (-1;-2)	[0757] – 18-000457-PR03 (GAS-C01-04-en-01)	FbxFh = 889~1200 x 2062~2942
	4.12	Thermal transmittance	Ud to be calculated in function of the project. Pre-calculated U-values for dimensions 1230x2180mm can be found in the Uf-value tables. Uf-values are calculated under certification of BCCA: certificate BPCB-420-72-10077/2.			
	4.13	Radiation properties	These properties must be evaluated by the CE-label of the glass			
	4.14	Air permeability	2 3 ⁽³⁾	[0960] – 18.00012.0	FbxFh < 1348x2500 FbxFh < 1352x2204	
Non-essential characteristics						
EN 14351-1	4.4.1	Reaction to fire	Anodized: A1 Painted: A2 Gaskets: E	EC decision 96/603/EC certificate P155748 [0432] – 230006500-6		
	4.16	Operating forces	1	[0960] – 18.00012.2	FbxFh < 1400 x 3000 256 kg	
	4.17	Mechanical strength	4	[0960] – 09.1090 ⁽²⁾	FbxFh < 1327x2904 168 kg	
	4.18	Ventilation	npd			
	4.19	Bullet resistance (BP version)	npd			
	4.20	Explosion resistance	npd			
	4.21	Resistance to repeated opening and closing	8 (1.000 000)	[0960] – 18.00012.2	FbxFh < 1400 x 3000 256 kg	
	4.22	Behaviour between different climates	npd			
	4.23	Burglar resistance (AP version)	RC2 RC3	[0960] – 18.00012-1 [1136] – CAR 17358	See report	

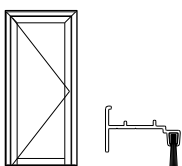
⁽³⁾ Automatic bottom seal + Brush

5.4 Window door / Single-inward opening / Threshold



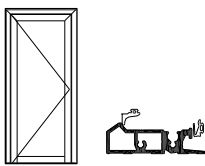
Characteristic		Performance	Notified body - Report	Limits (mm)	
Essential characteristics					
EN 14351-1	4.2	Resistance to wind load	C3 (1200 Pa)	[0960] - 18.01140	FbxFh < 970x2367
	4.5	Watertightness	9A (600 Pa)	[0960] - 18.01140	FbxFh < 970x2367
	4.6	Dangerous substances	In the materials delivered by Reynaers, no dangerous substances as indicated in hEN 14351-1 are used.		
	4.7	Impact resistance	npd		
	4.8	Load-bearing capacity of safety devices	npd		
	4.9	Height & width	See 6		
	4.11	Acoustic performance	npd		
	4.12	Thermal transmittance	Ud to be calculated in function of the project. Pre-calculated U-values for dimensions 1230x2180mm can be found in the Uf-value tables. Uf-values are calculated under certification of BCCA: certificate BPCB-420-72-10077/2.		
	4.13	Radiation properties	These properties must be evaluated by the CE-label of the glass		
	4.14	Air permeability	4	[0960] - 18.01140	FbxFh < 970x2367
Non-essential characteristics					
EN 14351-1	4.4.1	Reaction to fire	Anodized: A1 Painted: A2 Gaskets: E	EC decision 96/603/EC certificate P155748 [0432] – 230006500-6	
	4.16	Operating forces	npd		
	4.17	Mechanical strength	npd		
	4.18	Ventilation	npd		
	4.19	Bullet resistance (BP version)	npd		
	4.20	Explosion resistance	npd		
	4.21	Resistance to repeated opening and closing	npd		
	4.22	Behaviour between different climates	npd		
	4.23	Burglar resistance (AP version)	npd		

5.5 Flush doors / Single-outward opening / Brush



Characteristic		Performance		Notified body - Report	Limits (mm)	
Essential characteristics						
EN 14351-1	4.2	Resistance to wind load	C2 (800 Pa)		[0960] – 09.1009 ⁽²⁾	FbxFh < 1352x2204
	4.5	Watertightness	4A (150 Pa)		[0960] – 09.1009 ⁽²⁾	FbxFh < 1352x2204
	4.6	Dangerous substances	In the materials delivered by Reynaers, no dangerous substances as indicated in hEN 14351-1 are used.			
	4.7	Impact resistance	5 ⁽¹⁾		[0960] – 09.1168 ⁽²⁾	FbxFh > 604x1739
	4.8	Load-bearing capacity of safety devices	npd			
	4.9	Height & width	See 6			
	4.11	Acoustic performance	Glass: 34 (-1;-4)	Doors: 23 (-1;-2)	[0757] – 18-000457-PR03 (GAS-C01-04-en-01)	FbxFh = 889~1304 x 2062~2942
	4.12	Thermal transmittance	Ud to be calculated in function of the project. Pre-calculated U-values for dimensions 1230x2180mm can be found in the Uf-value tables. Uf-values are calculated under certification of BCCA: certificate BPCB-420-72-10077/2.			
	4.13	Radiation properties	These properties must be evaluated by the CE-label of the glass			
	4.14	Air permeability	2		[0960] – 09.1009 ⁽²⁾	FbxFh < 1352x2204
Non-essential characteristics						
EN 14351-1	4.4.1	Reaction to fire	Anodized: A1 Painted: A2 Gaskets: E	EC decision 96/603/EC certificate P155748 [0432] – 230006500-6		
	4.16	Operating forces	2		[0960] – SKG/K0104/JBO/cro/15.0321 ⁽²⁾	FbxFh < 1408x3008 255 kg
	4.17	Mechanical strength	4		[0960] – SKG/K0104/JBO/cro/15.0321 ⁽²⁾	FbxFh < 1408x3008 255 kg
	4.18	Ventilation	npd			
	4.19	Bullet resistance (BP version)	npd			
	4.20	Explosion resistance	npd			
	4.21	Resistance to repeated opening and closing	8 (1.000 000)		[0960] – SKG/K0104/JBO/cro/15.0321 ⁽²⁾	FbxFh < 1408x3008 255 kg
	4.22	Behaviour between different climates	npd			
	4.23	Burglar resistance (AP version)	RC2 RC3		[0960] – 18.00012-1 [1136] – CAR 17358	See report

5.6 Flush doors / Single-outward opening / Bottom profile

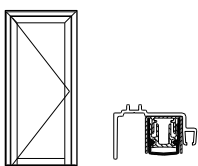


Characteristic		Performance		Notified body - Report	Limits (mm)	
Essential characteristics						
EN 14351-1	4.2	Resistance to wind load	C2 (800 Pa)	[1488] – LK01-00948/15/R84NK ⁽⁴⁾	FbxFh < 1400x2600	
			C3 (1200 Pa)	[0960] – 12.1114 Rev 2 ⁽²⁾	FbxFh < 1400x3000	
	4.5	Watertightness	9A (600 Pa)	[1488] – LK01-00948/15/R84NK ⁽⁴⁾	FbxFh < 1400x2600	
			7A (300 Pa)	[0960] – 12.1114 Rev 2 ⁽²⁾	FbxFh < 1400x3000	
	4.6	Dangerous substances	In the materials delivered by Reynaers, no dangerous substances as indicated in hEN 14351-1 are used.			
	4.7	Impact resistance	5 ⁽¹⁾	[0960] – 09.1168 ⁽²⁾	FbxFh > 604x1739	
	4.8	Load-bearing capacity of safety devices	npd			
	4.9	Height & width	See 6			
	4.11	Acoustic performance	Glass: 34 (-1;-4) 41 (-2;-4) 50 (-2;-8)	Doors: 37 (-2;-5) 39 (-2;-4) 43 (-2;-4) ⁽³⁾	[0757] – 18-000457-PR03 (GAS-C01-04-en-01)	FbxFh = 889~1279 x 2062~2452
	4.12	Thermal transmittance	Ud to be calculated in function of the project. Pre-calculated U-values for dimensions 1230x2180mm can be found in the Uf-value tables. Uf-values are calculated under certification of BCCA: certificate BPCB-420-72-10077/2.			
4.13	Radiation properties	These properties must be evaluated by the CE-label of the glass				
4.14	Air permeability	4	[1488] – LK01-00948/15/R84NK ⁽⁴⁾	FbxFh < 1400x2600		
		3	[0960] – 12.1114 Rev 2 ⁽²⁾	FbxFh < 1400x3000		
Non-essential characteristics						
EN 14351-1	4.4.1	Reaction to fire	Anodized: A1 Painted: A2 Gaskets: E	EC decision 96/603/EC certificate P155748 [0432] – 230006500-6		
	4.16	Operating forces	2	[0960] – SKG/K0104/JBO/cro/15.0321 ⁽²⁾	FbxFh < 1408x3008 255 kg	
	4.17	Mechanical strength	4	[0960] – SKG/K0104/JBO/cro/15.0321 ⁽²⁾	FbxFh < 1408x3008 255 kg	
	4.18	Ventilation	npd			
	4.19	Bullet resistance (BP version)	npd			
	4.20	Explosion resistance	npd			
	4.21	Resistance to repeated opening and closing	8 (1.000 000)	[0960] – SKG/K0104/JBO/cro/15.0321 ⁽²⁾	FbxFh < 1408x3008 255 kg	
	4.22	Behaviour between different climates	npd			
	4.23	Burglar resistance (AP version)	RC2 RC3	[0960] – 18.00012-1 [1136] – CAR 17358	See report	

⁽³⁾ For casement W x H ≤ 1050 x 2200. For casement W x H ≤ 1304 x 2942: 42 (-2;-4)

⁽⁴⁾ Because of the same profile design, characteristics are based on test results for CS 77.

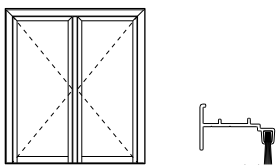
5.7 Flush doors / Single-outward opening / Automatic bottom seal



Characteristic		Performance		Notified body - Report	Limits (mm)		
Essential characteristics							
EN 14351-1	4.2	Resistance to wind load	C2 (800 Pa) ⁽³⁾		[0960] – 18.00012.0	FbxFh < 1352x2204	
	4.5	Watertightness	4A (150 Pa) ⁽³⁾		[0960] – 18.00012.0	FbxFh < 1352x2204	
	4.6	Dangerous substances	In the materials delivered by Reynaers, no dangerous substances as indicated in hEN 14351-1 are used.				
	4.7	Impact resistance	5 ⁽¹⁾	[0960] – 09.1168 ⁽²⁾	FbxFh > 604x1739		
	4.8	Load-bearing capacity of safety devices	npd				
	4.9	Height & width	See 6				
	4.11	Acoustic performance	Glass: 34 (-1;-4) 41 (-2;-4) 50 (-2;-8)	Doors: 33 (-2;-5) 34 (-1;-3) 35 (-1;-2)	[0757] – 18-000457-PR03 (GAS-C01-04-en-01)	FbxFh = 889~1200 x 2062~2942	
	4.12	Thermal transmittance	Ud to be calculated in function of the project. Pre-calculated U-values for dimensions 1230x2180mm can be found in the Uf-value tables. Uf-values are calculated under certification of BCCA: certificate BPCB-420-72-10077/2.				
	4.13	Radiation properties	These properties must be evaluated by the CE-label of the glass				
	4.14	Air permeability	2 ⁽³⁾	[0960] – 18.00012.0	FbxFh < 1352x2204		
Non-essential characteristics							
EN 14351-1	4.4.1	Reaction to fire	Anodized: A1 Painted: A2 Gaskets: E	EC decision 96/603/EC certificate P155748 [0432] – 230006500-6			
	4.16	Operating forces	2	[0960] – SKG/K0104/JBO/cro/15.0321 ⁽²⁾	FbxFh < 1408x3008 255 kg		
	4.17	Mechanical strength	4	[0960] – SKG/K0104/JBO/cro/15.0321 ⁽²⁾	FbxFh < 1408x3008 255 kg		
	4.18	Ventilation	npd				
	4.19	Bullet resistance (BP version)	npd				
	4.20	Explosion resistance	npd				
	4.21	Resistance to repeated opening and closing	8 (1.000 000)	[0960] – SKG/K0104/JBO/cro/15.0321 ⁽²⁾	FbxFh < 1408x3008 255 kg		
	4.22	Behaviour between different climates	npd				
	4.23	Burglar resistance (AP version)	RC2 RC3	[0960] – 18.00012-1 [1136] – CAR 17358	See report		

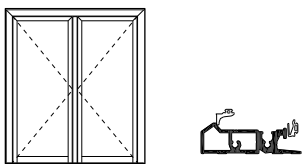
⁽³⁾ Automatic bottom seal + Brush

5.8 Flush doors / Double-inward opening / Brush



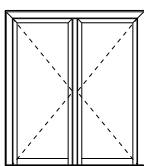
Characteristic		Performance		Notified body - Report	Limits (mm)	
Essential characteristics						
EN 14351-1	4.2	Resistance to wind load	C2 (800 Pa)		[0960] – 09.1135 ⁽²⁾	FbxFh < 1352x2350
	4.5	Watertightness	3A (100 Pa)		[0960] – 09.1135 ⁽²⁾	FbxFh < 1352x2350
	4.6	Dangerous substances	In the materials delivered by Reynaers, no dangerous substances as indicated in hEN 14351-1 are used.			
	4.7	Impact resistance	5 ⁽¹⁾	[0960] – SKG/HRU/age/12.0649 ⁽²⁾	FbxFh > 649x1742	
	4.8	Load-bearing capacity of safety devices	nnd			
	4.9	Height & width	See 6			
	4.11	Acoustic performance	Glass: 34 (-1;-4)	Doors: 23 (-1;-2)	[0757] – 18-000457-PR03 (GAS-C01-04-en-01)	FbxFh = 889~1279 x 2062~2452
	4.12	Thermal transmittance	Ud to be calculated in function of the project. Pre-calculated U-values for dimensions 1230x2180mm can be found in the Uf-value tables. Uf-values are calculated under certification of BCCA: certificate BPCB-420-72-10077/2.			
	4.13	Radiation properties	These properties must be evaluated by the CE-label of the glass			
	4.14	Air permeability	2	[0960] – 09.1135 ⁽²⁾	FbxFh < 1352x2350	
Non-essential characteristics						
EN 14351-1	4.4.1	Reaction to fire	Anodized: A1 Painted: A2 Gaskets: E	EC decision 96/603/EC certificate P155748 [0432] – 230006500-6		
	4.16	Operating forces	1	[0960] – 09.1090 ⁽²⁾	FbxFh < 1327x2904 168 kg	
	4.17	Mechanical strength	4	[0960] – 09.1090 ⁽²⁾	FbxFh < 1327x2904 168 kg	
	4.18	Ventilation	npd			
	4.19	Bullet resistance (BP version)	npd			
	4.20	Explosion resistance	npd			
	4.21	Resistance to repeated opening and closing	6 (200 000)	[0960] – 09.1090 ⁽²⁾	FbxFh < 1327x2904 168 kg	
	4.22	Behaviour between different climates	npd			
	4.23	Burglar resistance (AP version)	RC2 RC3	[0960] – 18.00012-1 [1136] – CAR 17358	See report	

5.9 Flush doors / Double-inward opening / Bottom profile



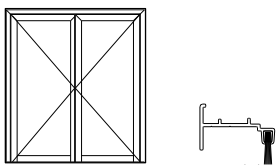
Characteristic		Performance		Notified body - Report	Limits (mm)	
Essential characteristics						
EN 14351-1	4.2	Resistance to wind load	C2 (800 Pa)	[0960] – 15.00646 Rev.A ⁽²⁾	FbxFh < 1338x2352	
	4.5	Watertightness	6A (250 Pa)	[0960] – 15.00646 Rev.A ⁽²⁾	FbxFh < 1338x2352	
	4.6	Dangerous substances	In the materials delivered by Reynaers, no dangerous substances as indicated in hEN 14351-1 are used.			
	4.7	Impact resistance	5 ⁽¹⁾	[0960] – SKG/HRU/age/12.0649 ⁽²⁾	FbxFh > 649x1742	
	4.8	Load-bearing capacity of safety devices	npd			
	4.9	Height & width	See 6			
	4.11	Acoustic performance	Glass: 34 (-1;-4) 41 (-2;-4) 50 (-2;-8)	Doors: 36 (-3;-6) 38 (-3;-5) 41 (-1;-3)	[0757] – 18-000457-PR03 (GAS-C01-04-en-01)	FbxFh = 889~1279 x 2062~2452
	4.12	Thermal transmittance	Ud to be calculated in function of the project. Pre-calculated U-values for dimensions 2000x2180mm can be found in the Uf-value tables. Uf-values are calculated under certification of BCCA: certificate BPCB-420-72-10077/2.			
	4.13	Radiation properties	These properties must be evaluated by the CE-label of the glass			
	4.14	Air permeability	3	[0960] – 15.00646 Rev.A ⁽²⁾	FbxFh < 1338x2352	
Non-essential characteristics						
EN 14351-1	4.4.1	Reaction to fire	Anodized: A1 Painted: A2 Gaskets: E	EC decision 96/603/EC certificate P155748 [0432] – 230006500-6		
	4.16	Operating forces	1	[0960] – 09.1090 ⁽²⁾	FbxFh < 1327x2904 168 kg	
	4.17	Mechanical strength	4	[0960] – 09.1090 ⁽²⁾	FbxFh < 1327x2904 168 kg	
	4.18	Ventilation	npd			
	4.19	Bullet resistance (BP version)	npd			
	4.20	Explosion resistance	npd			
	4.21	Resistance to repeated opening and closing	6 (200 000)	[0960] – 09.1090 ⁽²⁾	FbxFh < 1327x2904 168 kg	
	4.22	Behaviour between different climates	npd			
	4.23	Burglar resistance (AP version)	RC2 RC3	[0960] – 18.00012-1 [1136] – CAR 17358	See report	

5.10 Flush doors / Double-inward opening / Automatic bottom seal



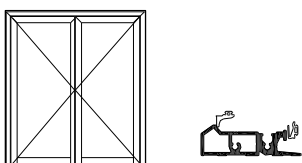
Characteristic		Performance	Notified body - Report	Limits (mm)		
Essential characteristics						
EN 14351-1	4.2	Resistance to wind load	B2 (800 Pa)	[0960] – 18.00012.0	FbxFh < 1352x2500	
	4.5	Watertightness	3A (100 Pa)	[0960] – 18.00012.0	FbxFh < 1352x2500	
	4.6	Dangerous substances	In the materials delivered by Reynaers, no dangerous substances as indicated in hEN 14351-1 are used.			
	4.7	Impact resistance	5 ⁽¹⁾	[0960] – SKG/HRU/age/12.0649 ⁽²⁾	FbxFh > 649x1742	
	4.8	Load-bearing capacity of safety devices	npd			
	4.9	Height & width	See 6			
	4.11	Acoustic performance	Glass: 34 (-1;-4) 41 (-2;-4) 50 (-2;-8)	Doors: 33 (-2;-5) 34 (-1;-3) 35 (-1;-2)	[0757] – 18-000457-PR03 (GAS-C01-04-en-01)	FbxFh = 889~1200 x 2062~2452
	4.12	Thermal transmittance	Ud to be calculated in function of the project. Pre-calculated U-values for dimensions 2000x2180mm can be found in the Uf-value tables. Uf-values are calculated under certification of BCCA: certificate BPCB-420-72-10077/2.			
	4.13	Radiation properties	These properties must be evaluated by the CE-label of the glass			
	4.14	Air permeability	2	[0960] – 18.00012.0	FbxFh < 1352x2500	
Non-essential characteristics						
EN 14351-1	4.4.1	Reaction to fire	Anodized: A1 Painted: A2 Gaskets: E	EC decision 96/603/EC certificate P155748 [0432] – 230006500-6		
	4.16	Operating forces	1	[0960] – 09.1090 ⁽²⁾	FbxFh < 1327x2904 168 kg	
	4.17	Mechanical strength	4	[0960] – 09.1090 ⁽²⁾	FbxFh < 1327x2904 168 kg	
	4.18	Ventilation	npd			
	4.19	Bullet resistance (BP version)	npd			
	4.20	Explosion resistance	npd			
	4.21	Resistance to repeated opening and closing	6 (200 000)	[0960] – 09.1090 ⁽²⁾	FbxFh < 1327x2904 168 kg	
	4.22	Behaviour between different climates	npd			
	4.23	Burglar resistance (AP version)	RC2 RC3	[0960] – 18.00012-1 [1136] – CAR 17358	See report	

5.11 Flush doors / Double-outward opening / Brush



Characteristic		Performance		Notified body - Report	Limits (mm)	
Essential characteristics						
EN 14351-1	4.2	Resistance to wind load	B2 (800 Pa)		[0960] – 10.130 ⁽²⁾	FbxFh < 1352x2350
	4.5	Watertightness	4A (150 Pa)		[0960] – 10.130 ⁽²⁾	FbxFh < 1352x2350
	4.6	Dangerous substances	In the materials delivered by Reynaers, no dangerous substances as indicated in hEN 14351-1 are used.			
	4.7	Impact resistance	5 ⁽¹⁾	[0960] – SKG/HRU/age/12.0649 ⁽²⁾	FbxFh > 649x1742	
	4.8	Load-bearing capacity of safety devices	npd			
	4.9	Height & width	See 6			
	4.11	Acoustic performance	Glass: 34 (-1;-4)	Doors: 23 (-1;-2)	[0757] – 18-000457-PR03 (GAS-C01-04-en-01)	FbxFh = 889~1279 x 2062~2452
	4.12	Thermal transmittance	Ud to be calculated in function of the project. Pre-calculated U-values for dimensions 1230x2180mm can be found in the Uf-value tables. Uf-values are calculated under certification of BCCA: certificate BPCB-420-72-10077/2.			
	4.13	Radiation properties	These properties must be evaluated by the CE-label of the glass			
	4.14	Air permeability	2	[0960] – 10.130 ⁽²⁾	FbxFh < 1352x2350	
Non-essential characteristics						
EN 14351-1	4.4.1	Reaction to fire	Anodized: A1 Painted: A2 Gaskets: E	EC decision 96/603/EC certificate P155748 [0432] – 230006500-6		
	4.16	Operating forces	1	[0960] – 09.1090 ⁽²⁾	FbxFh < 1327x2904 168 kg	
	4.17	Mechanical strength	4	[0960] – 09.1090 ⁽²⁾	FbxFh < 1327x2904 168 kg	
	4.18	Ventilation	npd			
	4.19	Bullet resistance (BP version)	npd			
	4.20	Explosion resistance	npd			
	4.21	Resistance to repeated opening and closing	6 (200 000)	[0960] – 09.1090 ⁽²⁾	FbxFh < 1327x2904 168 kg	
	4.22	Behaviour between different climates	npd			
	4.23	Burglar resistance (AP version)	RC2 RC3	[0960] – 18.00012-1 [1136] – CAR 17358	See report	

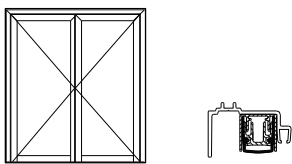
5.12 Flush doors / Double-outward opening / Bottom profile



Characteristic		Performance		Notified body - Report	Limits (mm)	
Essential characteristics						
EN 14351-1	4.2	Resistance to wind load	C2 (800 Pa)		[1488] – LK02-00948/15/R84NK ⁽⁴⁾	FbxFh < 1339x2352
	4.5	Watertightness	7A (300 Pa)		[1488] – LK02-00948/15/R84NK ⁽⁴⁾	FbxFh < 1339x2352
	4.6	Dangerous substances	In the materials delivered by Reynaers, no dangerous substances as indicated in hEN 14351-1 are used.			
	4.7	Impact resistance	5 ⁽¹⁾	[0960] – SKG/HRU/age/12.0649 ⁽²⁾	FbxFh > 649x1742	
	4.8	Load-bearing capacity of safety devices	npd			
	4.9	Height & width	See 6			
	4.11	Acoustic performance	Glass: 34 (-1;-4) 41 (-2;-4) 50 (-2;-8)	Doors: 36 (-3;-6) 38 (-3;-5) 41 (-1;-3)	[0757] – 18-000457-PR03 (GAS-C01-04-en-01)	FbxFh = 889~1279 x 2062~2452
	4.12	Thermal transmittance	Ud to be calculated in function of the project. Pre-calculated U-values for dimensions 2000x2180mm can be found in the Uf-value tables. Uf-values are calculated under certification of BCCA: certificate BPCB-420-72-10077/2.			
	4.13	Radiation properties	These properties must be evaluated by the CE-label of the glass			
	4.14	Air permeability	3	[1488] – LK02-00948/15/R84NK ⁽⁴⁾	FbxFh < 1339x2352	
Non-essential characteristics						
EN 14351-1	4.4.1	Reaction to fire	Anodized: A1 Painted: A2 Gaskets: E	EC decision 96/603/EC certificate P155748 [0432] – 230006500-6		
	4.16	Operating forces	1	[0960] – 09.1090 ⁽²⁾	FbxFh < 1327x2904 168 kg	
	4.17	Mechanical strength	4	[0960] – 09.1090 ⁽²⁾	FbxFh < 1327x2904 168 kg	
	4.18	Ventilation	npd			
	4.19	Bullet resistance (BP version)	npd			
	4.20	Explosion resistance	npd			
	4.21	Resistance to repeated opening and closing	6 (200 000)	[0960] – 09.1090 ⁽²⁾	FbxFh < 1327x2904 168 kg	
	4.22	Behaviour between different climates	npd			
	4.23	Burglar resistance (AP version)	RC2 RC3	[0960] – 18.00012-1 [1136] – CAR 17358	See report	

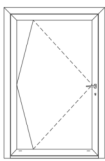
⁽⁴⁾ Because of the same profile design, characteristics are based on test results for CS 77.

5.13 Flush doors / Double-outward opening / Automatic bottom seal



Characteristic		Performance		Notified body - Report	Limits (mm)	
Essential characteristics						
EN 14351-1	4.2	Resistance to wind load	C2 (800 Pa)		[0960] – 10.1079 ⁽²⁾	FbxFh < 1352x2500
	4.5	Watertightness	3A (100 Pa)		[0960] – 10.1079 ⁽²⁾	FbxFh < 1352x2500
	4.6	Dangerous substances	In the materials delivered by Reynaers, no dangerous substances as indicated in hEN 14351-1 are used.			
	4.7	Impact resistance	5 ⁽¹⁾	[0960] – SKG/HRU/age/12.0649 ⁽²⁾	FbxFh > 649x1742	
	4.8	Load-bearing capacity of safety devices	npd			
	4.9	Height & width	See 6			
	4.11	Acoustic performance	Glass: 34 (-1;-4) 41 (-2;-4) 50 (-2;-8)	Doors: 33 (-2;-5) 34 (-1;-3) 35 (-1;-2)	[0757] – 18-000457-PR03 (GAS-C01-04-en-01)	FbxFh = 889~1200 x 2062~2452
	4.12	Thermal transmittance	Ud to be calculated in function of the project. Pre-calculated U-values for dimensions 2000x2180mm can be found in the Uf-value tables. Uf-values are calculated under certification of BCCA: certificate BPCB-420-72-10077/2.			
	4.13	Radiation properties	These properties must be evaluated by the CE-label of the glass			
	4.14	Air permeability	2	[0960] – 10.1079 ⁽²⁾	FbxFh < 1352x2500	
Non-essential characteristics						
EN 14351-1	4.4.1	Reaction to fire	Anodized: A1 Painted: A2 Gaskets: E	EC decision 96/603/EC certificate P155748 [0432] – 230006500-6		
	4.16	Operating forces	1	[0960] – 09.1090 ⁽²⁾	FbxFh < 1327x2904 168 kg	
	4.17	Mechanical strength	4	[0960] – 09.1090 ⁽²⁾	FbxFh < 1327x2904 168 kg	
	4.18	Ventilation	npd			
	4.19	Bullet resistance (BP version)	npd			
	4.20	Explosion resistance	npd			
	4.21	Resistance to repeated opening and closing	6 (200 000)	[0960] – 09.1090 ⁽²⁾	FbxFh < 1327x2904 168 kg	
	4.22	Behaviour between different climates	npd			
	4.23	Burglar resistance (AP version)	RC2 RC3	[0960] – 18.00012-1 [1136] – CAR 17358	See report	

5.14 Pivot door / Inward opening + Outward opening



Characteristic		Performance	Notified body - Report	Limits (mm)	
Essential characteristics					
EN 14351-1	4.2	Resistance to wind load	C3 (1200 Pa)	[0960] – 19.00305	FbxFh < 1700x2700
	4.5	Watertightness	4A (150 Pa)	[0960] – 19.00305	FbxFh < 1700x2700
	4.6	Dangerous substances	In the materials delivered by Reynaers, no dangerous substances as indicated in hEN 14351-1 are used.		
	4.7	Impact resistance	npd		
	4.8	Load-bearing capacity of safety devices	npd		
	4.9	Height & width	See 6		
	4.11	Acoustic performance	npd		
	4.12	Thermal transmittance	Ud to be calculated in function of the project. Pre-calculated U-values for dimensions 2000x2180mm can be found in the Uf-value tables. Uf-values are calculated under certification of BCCA: certificate BPCB-420-72-10077/2.		
	4.13	Radiation properties	These properties must be evaluated by the CE-label of the glass		
	4.14	Air permeability	4	[0960] – 19.00305	FbxFh < 1700x2700
Non-essential characteristics					
EN 14351-1	4.4.1	Reaction to fire	Anodized: A1 Painted: A2 Gaskets: E	EC decision 96/603/EC certificate P155748 [0432] – 230006500-6	
	4.16	Operating forces	1	[0960] – 18.01316	FbxFh < 1700x2700 204 kg
	4.17	Mechanical strength	4	[0960] – 18.01316	FbxFh < 1700x2700 204 kg
	4.18	Ventilation	npd		
	4.19	Bullet resistance (BP version)	npd		
	4.20	Explosion resistance	npd		
	4.21	Resistance to repeated opening and closing	5 (100 000)	[0960] – 18.01316	FbxFh < 1700x2700 204 kg
	4.22	Behaviour between different climates	npd		
	4.23	Burglar resistance (AP version)	RC2 WK2	[1136] – CAR 18213 [1136] – CAR-19-075	See report

6 RULE FOR DEFINITION OF CLEAR OPENING HEIGHT AND WIDTH

The clear opening height g and clear opening width a are defined as indicated in following sketches out of EN 12519:2004.

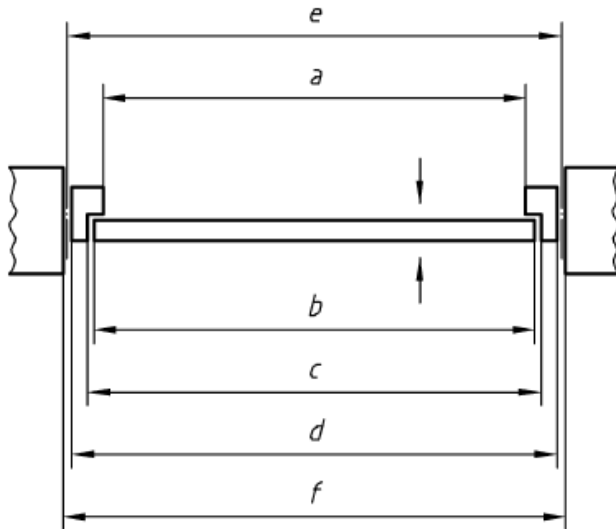


Figure 1/Figure 1/Bild 1

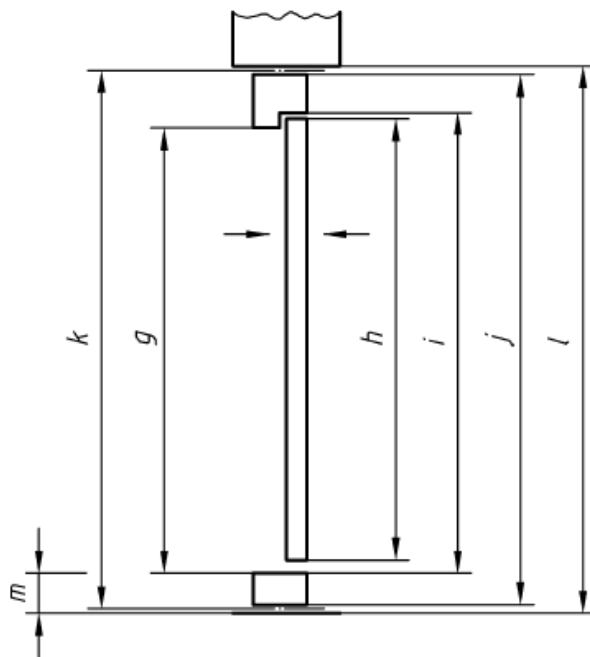


Figure 2/Figure 2/Bild 2