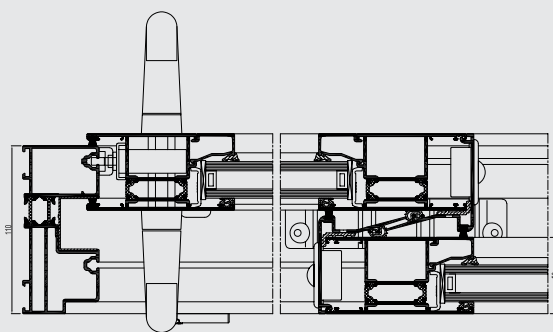
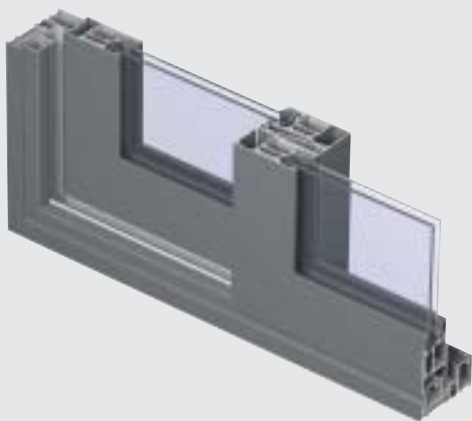




TP 110

Sliding System

R
REYNAERS
aluminium



TP 110 is a thermally insulated profile system for producing sliding elements with a maximum vent weight of 200 kg.

Both monorail and duorail versions are available. TP 110 is of course compatible with other Reynaers systems including TS and CS.

TECHNICAL CHARACTERISTICS

Style variants	MONORAIL	2-RAIL	RENAISSANCE
Visible width / height			
Frame	50 mm	50 mm	50 mm
Vent	93 mm	93 mm (TS) / 96.8 mm (CS)	105.3 mm
T-profile (TS)	67-77-87-93 mm	67-77-87-93 mm	-
T-profile (CS)	76-89-102-115 mm	76-89-102-115 mm	-
Meeting section	97.8 mm	97.8 mm (TS) / 101.6 mm (CS)	110.1 mm (CS)
Overall system depth			
Frame	117.8 mm	110 mm	117.8 mm
Vent	50 mm	50 mm	50 mm
Rebate height	21 mm (TS)	21 mm (TS) / 25 mm (CS)	25 mm (CS)
Glass thickness	4-37 mm	4-37 mm	4-37 mm
Glazing method	dry glazing with EPDM or neutral silicones		
Thermal insulation	14 and 18.6 mm fibreglass reinforced polyamide strips		

PERFORMANCES

ENERGY

Thermal Insulation⁽¹⁾
EN 10077-2

Uf-value between 3.1 W/m²K and 6.7 W/m²K, depending on the profile combination.

COMFORT

Acoustic performance⁽²⁾
EN ISO 140-3; EN ISO 717-1

Rw (C; Ctr) = 31 (-1; -2) dB / 39 (0; -2) dB, depending on glazing type

Air tightness, max. test pressure⁽³⁾
EN 12208

1 (150 Pa)	2 (300 Pa)	3 (600 Pa)	4 (600 Pa)
---------------	---------------	---------------	---------------

Water tightness⁽⁴⁾
EN 12208

1A (0 Pa)	2A (50 Pa)	3A (100 Pa)	4A (150 Pa)	5A (200 Pa)	6A (250 Pa)	7A (300 Pa)	8A (450 Pa)	9A (600 Pa)	E (900 Pa)
--------------	---------------	----------------	----------------	----------------	----------------	----------------	----------------	----------------	---------------

Wind load resistance, max. test pressure⁽⁵⁾
EN 12211; EN 12210

1 (400 Pa)	2 (800 Pa)	3 (1200 Pa)	4 (1600 Pa)	5 (2000 Pa)	E _{xxx} (> 2000 Pa)
---------------	---------------	----------------	----------------	----------------	---------------------------------

Wind load resistance to frame deflection⁽⁵⁾
EN 12211; EN 12210

A (≤1/150)	B (≤1/200)	C (≤1/300)
---------------	---------------	---------------

SAFETY

Burglar resistance⁽⁶⁾
NEN 5096

WK 1	WK 2	WK 3
------	------	------

This table shows possible classes and values of performances. The values indicated in red are the ones relevant to this system.

- (1) The Uf-value measures the heat flow. The lower the Uf-value, the better the thermal insulation of the frame.
- (2) The sound reduction index (Rw) measures the capacity of the sound reduction performance of the frame.
- (3) The air tightness test measures the volume of air that would pass through a closed window at a certain air pressure.
- (4) The water tightness testing involves applying a uniform water spray at increasing air pressure until water penetrates the window.
- (5) The wind load resistance is a measure of the profile's structural strength and is tested by applying increasing levels of air pressure to simulate the wind force. There are up to five levels of wind resistance (1 to 5) and three deflection classes (A,B,C). The higher the number, the better the performance.
- (6) The burglar resistance is tested by statistical and dynamic loads, as well as by simulated attempts to break in using specified tools.

