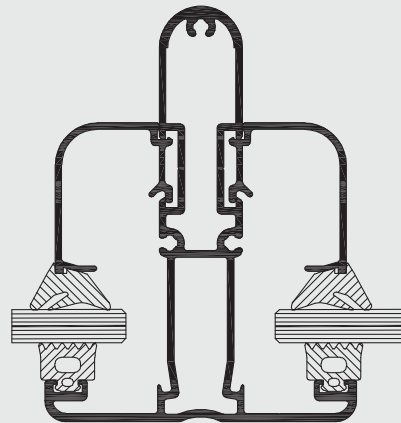
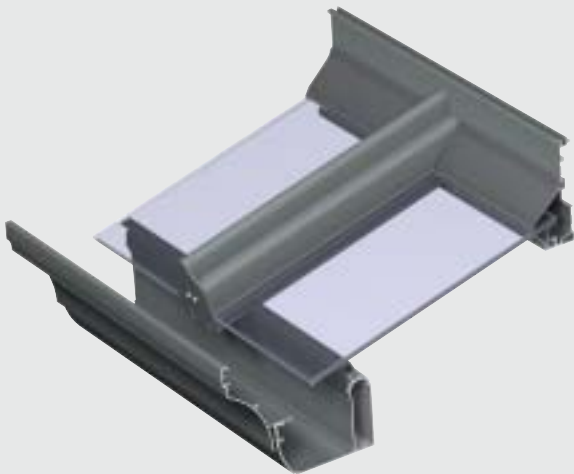




PR 100

Conservatories

R
REYNAERS
aluminium



PR 100 is a roof system made of non-insulated aluminium T-profiles. The system can be used as a terrace covering or carport. The PR 100 system can be combined with all windows and doors as well as sliding systems.

TECHNICAL CHARACTERISTICS



Style variants	SOFTLINE
Height of rafter	100 - 150 mm
Min. visible width of rafter	75 - 105 mm
Slope	5° - 45°
Glass thickness	8 - 32 mm
Glazing method	dry glazing with EPDM

