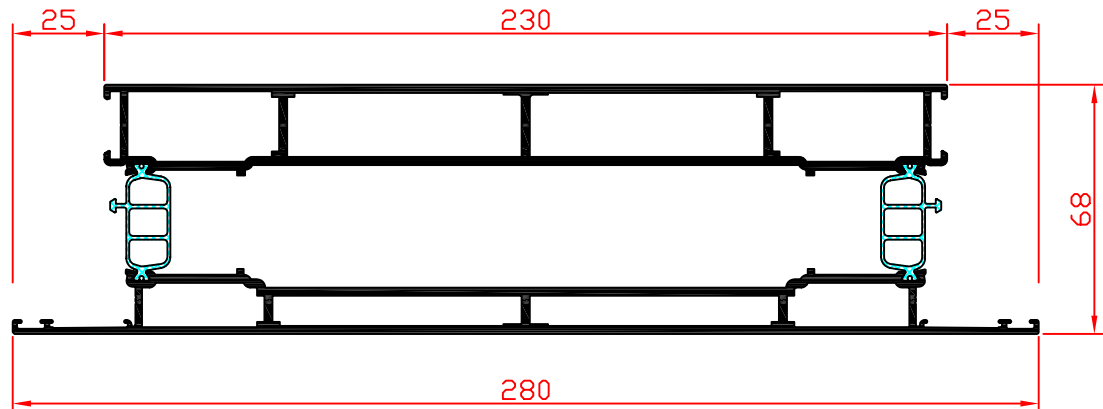
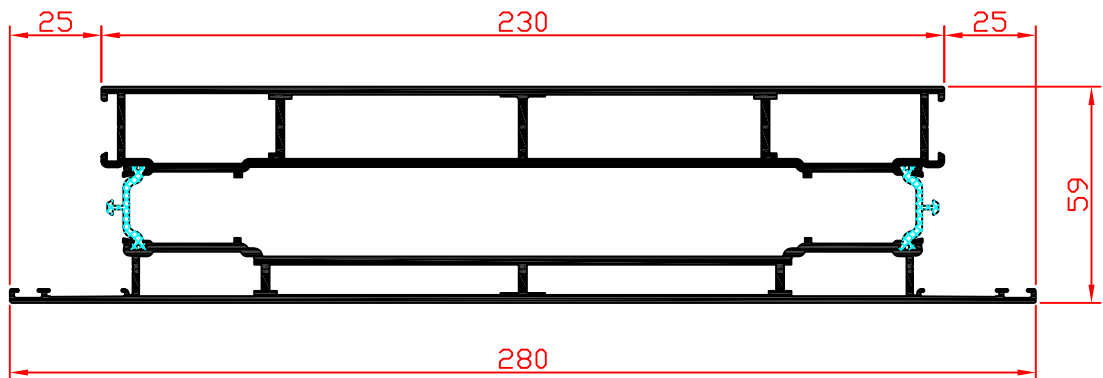


Concept System 77 - 008.0155.XX



Concept System 68 - 005.0155.XX



This drawing is our property. Each duplication, utilization or passing on to third persons is forbidden and will be pursued.

-	Blatt erstellt	12.02.08	Tla
Index	Bearbeitung	Datum	Name



NEWS
01/2008

Bezeichnung

neue 280mm Sprossen
für CS 68 & CS 77

Größe:
DIN A4

Blatt
006

Index
-