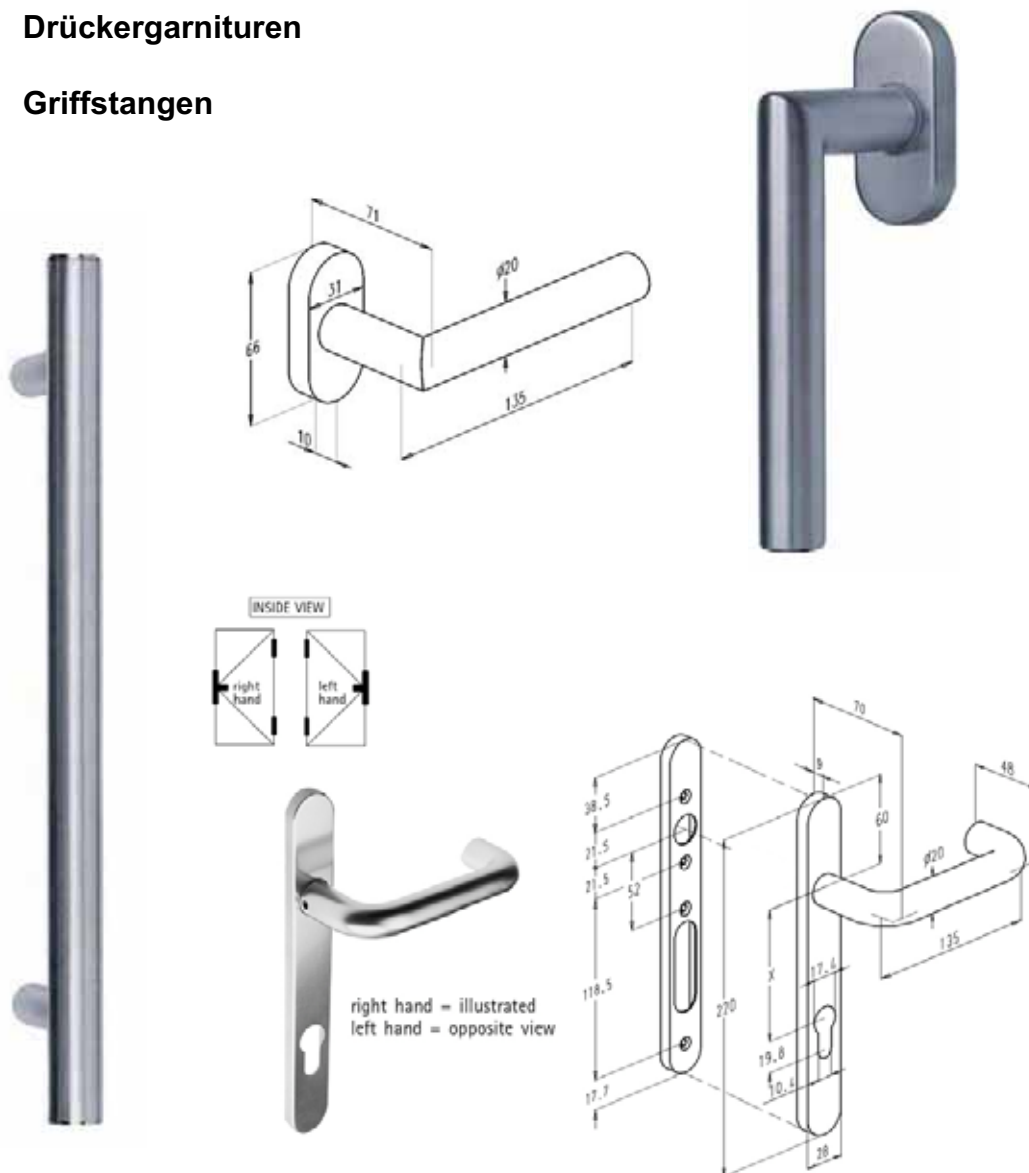


Design Access (Sobinox) – Edelstahlbeschläge

Das Fenster- und Türsortiment wird mit Edelstahlbeschlägen erweitert.

- Fenstergriffe
- Drückergarnituren
- Griffstangen



Weitere Informationen entnehmen Sie bitte den beigefügten Katalogseiten.

DESIGN ACCESS

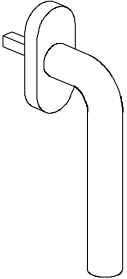
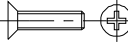
DESIGN ACCESS

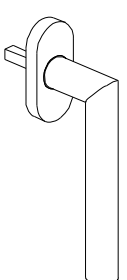





REYNAERS
aluminium

Cat. nr. DA
Art. nr. AD.089.DEAC.00
Edition 10/2007

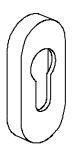
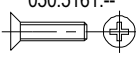
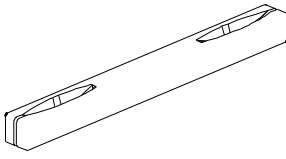
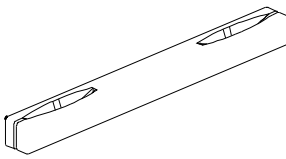
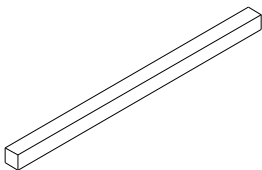



	<p>060.6190.XX</p> <p>RAAMPOMP</p> <p>CREMONE</p> <p>HANDLE</p> <p>HANDHEBEL</p>	<p>CS 59 CS 68 CS 77</p> <p>Eco system CS 38-SL CS 86-HI</p>	<p>2 st./pc 050.5161.--</p>  <p>DIN 965 M5 x 16</p>
---	---	--	--


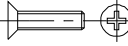
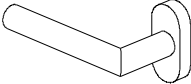
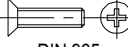

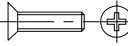
	<p>060.6191.XX</p> <p>RAAMPOMP</p> <p>CREMONE</p> <p>HANDLE</p> <p>HANDHEBEL</p>	<p>CS 59 CS 68 CS 77</p> <p>Eco system CS 38-SL CS 86-HI</p>	<p>2 st./pc 050.5161.--</p>  <p>DIN 965 M5 x 16</p>
---	---	--	--

 	<p>XX = PAINT/ANODIZED + INOX</p> <p>-- = INOX XX = PAINT/ANODIZED + INOX</p>
--	---

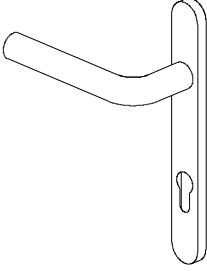
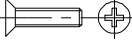
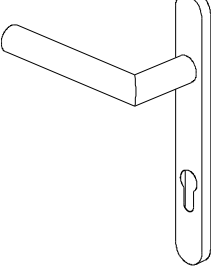
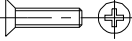
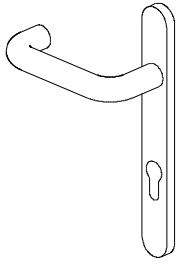
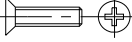


	<p>061.6968.XX CILINDERPLAAT</p> <p>ECUSSON</p> <p>CYLINDER COVER</p> <p>PZ-ROZETTE</p>	<p>CS 59 CS 68 CS 77 Eco system CS 38-SL CS 86-HI</p>		<p>2 st./pc 050.5161.--</p>  <p>DIN 965 M5 x 16</p>
	<p>061.7092.-- VIERKANTSTIFT 8MM L=115MM</p> <p>TIGE 8MM L=115MM</p> <p>SPINDLE 8MM L=115MM</p> <p>DRUCKERSTIFT 8MM L=115MM</p>	<p>CS 59 CS 68 CS 77 Eco system CS 38-SL CS 86-HI</p>		
	<p>061.7093.-- VIERKANTSTIFT 8MM L=125MM</p> <p>TIGE 8MM L=125MM</p> <p>SPINDLE 8MM L=125MM</p> <p>DRUCKERSTIFT 8MM L=125MM</p>	<p>CS 68 CS 38-SL</p>		
	<p>061.7099.-- VIERKANTSTIFT 8MM L=150MM</p> <p>TIGE 8MM L=150MM</p> <p>SPINDLE 8MM L=150MM</p> <p>DRUCKERSTIFT 8MM L=150MM</p>	<p> PS 50 TS 50 TS 57 CS 59Pa CS 59 CS 68 CS 77 CS 77-BP Eco system</p>		


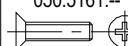
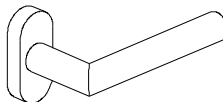
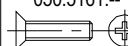

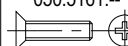


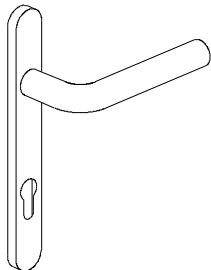
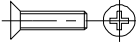
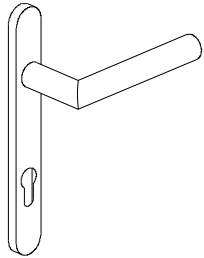
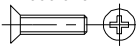
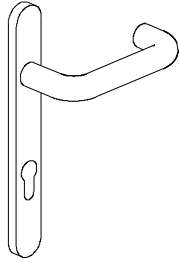
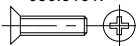
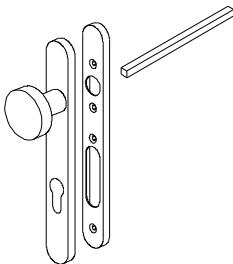
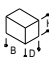
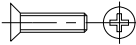
	<p>061.7118.XX DEURKRUUK BEQUILLE DOOR HANDLE TUERDRUECKER</p>	<p>CS 59 CS 68 CS 77 Eco system CS 38-SL</p>	<p>2 st./pc 050.5161.--  DIN 965 M5 x 16</p>
	<p>061.7119.XX DEURKRUUK BEQUILLE DOOR HANDLE TUERDRUECKER</p>	<p>CS 59 CS 68 CS 77 Eco system CS 38-SL</p>	<p>2 st./pc 050.5161.--  DIN 965 M5 x 16</p>
	<p>061.7120.XX DEURKRUUK BEQUILLE DOOR HANDLE TUERDRUECKER</p>	<p>CS 59 CS 68 CS 77 Eco system CS 38-SL</p>	<p>2 st./pc 050.5161.--  DIN 965 M5 x 16</p>



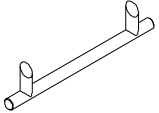
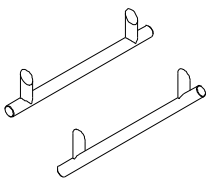
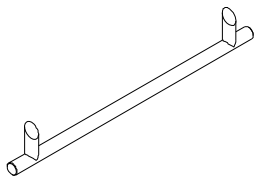
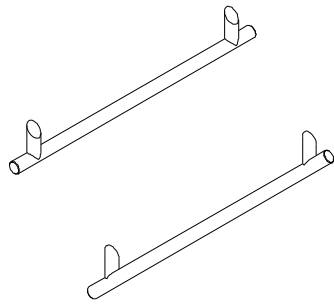
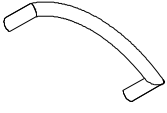
	<p>061.7121.XX DEURKRUK BEQUILLE DOOR HANDLE TUERDRUECKER</p>	<p>CS 59 CS 68 CS 77 Eco system CS 38-SL</p>		<p>3 st./pc 050.5161.--  DIN 965 M5 x 16</p>
	<p>061.7122.XX DEURKRUK BEQUILLE DOOR HANDLE TUERDRUECKER</p>	<p>CS 59 CS 68 CS 77 Eco system CS 38-SL</p>		<p>3 st./pc 050.5161.--  DIN 965 M5 x 16</p>
	<p>061.7123.XX DEURKRUK BEQUILLE DOOR HANDLE TUERDRUECKER</p>	<p>CS 59 CS 68 CS 77 Eco system CS 38-SL</p>		<p>3 st./pc 050.5161.--  DIN 965 M5 x 16</p>



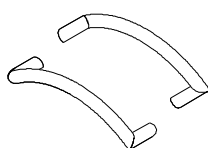
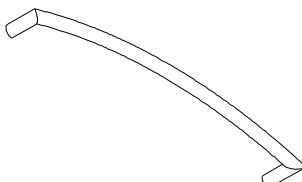
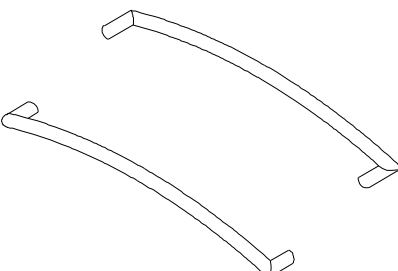

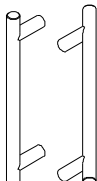
	<p>061.7218.XX DEURKRUUK BEQUILLE DOOR HANDLE TUERDRUECKER</p>	<p>CS 59 CS 68 CS 77 Eco system CS 38-SL CS 86-HI</p>	<p>2 st./pc 050.5161.--  DIN 965 M5 x 16</p>
	<p>061.7219.XX DEURKRUUK BEQUILLE DOOR HANDLE TUERDRUECKER</p>	<p>CS 59 CS 68 CS 77 Eco system CS 38-SL CS 86-HI</p>	<p>2 st./pc 050.5161.--  DIN 965 M5 x 16</p>
	<p>061.7220.XX DEURKRUUK BEQUILLE DOOR HANDLE TUERDRUECKER</p>	<p>CS 59 CS 68 CS 77 Eco system CS 38-SL CS 86-HI</p>	<p>2 st./pc 050.5161.--  DIN 965 M5 x 16</p>
Empty section			

	<p>061.7221.XX DEURKRUK BEQUILLE DOOR HANDLE TUERDRUECKER</p>	<p>CS 59 CS 68 CS 77 Eco system CS 38-SL CS 86-HI</p>		<p>3 st./pc 050.5161.-- DIN 965 M5 x 16</p>
	<p>061.7222.XX DEURKRUK BEQUILLE DOOR HANDLE TUERDRUECKER</p>	<p>CS 59 CS 68 CS 77 Eco system CS 38-SL CS 86-HI</p>		<p>3 st./pc 050.5161.-- DIN 965 M5 x 16</p>
	<p>061.7223.XX DEURKRUK BEQUILLE DOOR HANDLE TUERDRUECKER</p>	<p>CS 59 CS 68 CS 77 Eco system CS 38-SL CS 86-HI</p>		<p>3 st./pc 050.5161.-- DIN 965 M5 x 16</p>
 <p> +SPINDLE INCLUDED L=125MM</p>	<p>061.7224.XX VASTE KNOP BOUTON FIXE FIXED HANDLE FESTSTEHENDER KNOPF</p>	<p>CS 59 CS 68 CS 77 Eco system CS 38-SL CS 86-HI</p>		<p>3 st./pc 050.5161.-- DIN 965 M5 x 16</p>


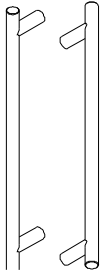
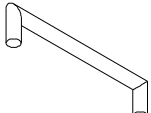
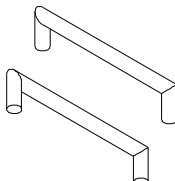
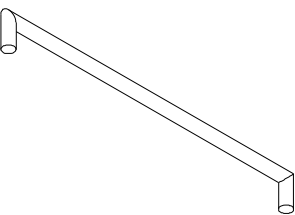


	<p>061.7500.-- DEURTREKKER 300MM</p> <p>POIGNEE DE TIRAGE 300MM</p> <p>PULL HANDLE 300MM</p> <p>STOSSGRIFF 300MM</p>	<p>CS 59 CS 68 CS 77 Eco system CS 38-SL CS 86-HI</p>		
	<p>061.7501.-- DEURTREKKER 300MM</p> <p>POIGNEE DE TIRAGE 300MM</p> <p>PULL HANDLE 300MM</p> <p>STOSSGRIFF 300MM</p>	<p>CS 59 CS 68 CS 77 Eco system CS 38-SL CS 86-HI</p>		
	<p>061.7502.-- DEURTREKKER 500MM</p> <p>POIGNEE DE TIRAGE 500MM</p> <p>PULL HANDLE 500MM</p> <p>STOSSGRIFF 500MM</p>	<p>CS 59 CS 68 CS 77 Eco system CS 38-SL CS 86-HI</p>		
	<p>061.7503.-- DEURTREKKER 500MM</p> <p>POIGNEE DE TIRAGE 500MM</p> <p>PULL HANDLE 500MM</p> <p>STOSSGRIFF 500MM</p>	<p>CS 59 CS 68 CS 77 Eco system CS 38-SL CS 86-HI</p>		
	<p>061.7504.-- DEURTREKKER 300MM</p> <p>POIGNEE DE TIRAGE 300MM</p> <p>PULL HANDLE 300MM</p> <p>STOSSGRIFF 300MM</p>	<p>CS 59 CS 68 CS 77 Eco system CS 38-SL CS 86-HI</p>		

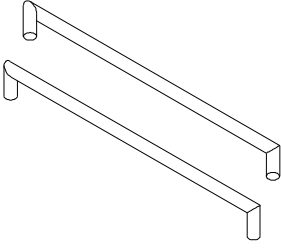
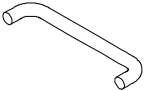
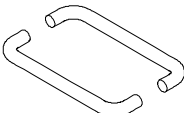
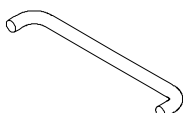
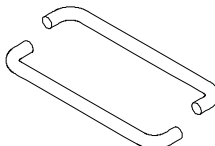


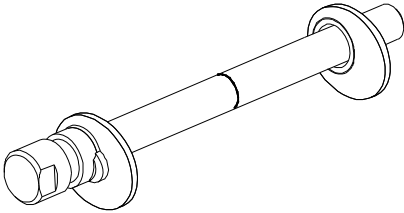
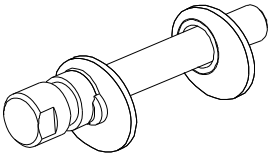
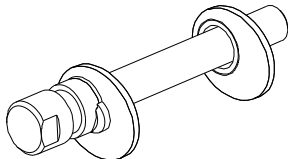
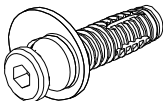
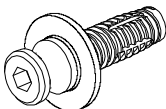
	<p>061.7505.-- DEURTREKKER 300MM</p> <p>POIGNEE DE TIRAGE 300MM</p> <p>PULL HANDLE 300MM</p> <p>STOSSGRIFF 300MM</p>	<p>CS 59 CS 68 CS 77 Eco system CS 38-SL CS 86-HI</p>		
	<p>061.7506.-- DEURTREKKER 650MM</p> <p>POIGNEE DE TIRAGE 650MM</p> <p>PULL HANDLE 650MM</p> <p>STOSSGRIFF 650MM</p>	<p>CS 59 CS 68 CS 77 Eco system CS 38-SL CS 86-HI</p>		
	<p>061.7507.-- DEURTREKKER 650MM</p> <p>POIGNEE DE TIRAGE 650MM</p> <p>PULL HANDLE 650MM</p> <p>STOSSGRIFF 650MM</p>	<p>CS 59 CS 68 CS 77 Eco system CS 38-SL CS 86-HI</p>		
	<p>061.7508.-- DEURTREKKER 300MM</p> <p>POIGNEE DE TIRAGE 300MM</p> <p>PULL HANDLE 300MM</p> <p>STOSSGRIFF 300MM</p>	<p>CS 59 CS 68 CS 77 Eco system CS 38-SL CS 86-HI</p>		
	<p>061.7509.-- DEURTREKKER 300MM</p> <p>POIGNEE DE TIRAGE 300MM</p> <p>PULL HANDLE 300MM</p> <p>STOSSGRIFF 300MM</p>	<p>CS 59 CS 68 CS 77 Eco system CS 38-SL CS 86-HI</p>		

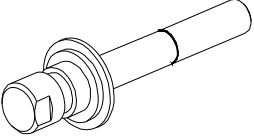
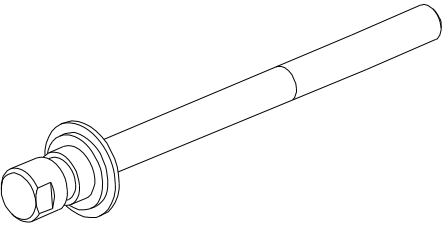


	<p>061.7510.-- DEURTREKKER 500MM</p> <p>POIGNEE DE TIRAGE 500MM</p> <p>PULL HANDLE 500MM</p> <p>STOSSGRIFF 500MM</p>	<p>CS 59 CS 68 CS 77 Eco system CS 38-SL CS 86-HI</p>		
	<p>061.7511.-- DEURTREKKER 500MM</p> <p>POIGNEE DE TIRAGE 500MM</p> <p>PULL HANDLE 500MM</p> <p>STOSSGRIFF 500MM</p>	<p>CS 59 CS 68 CS 77 Eco system CS 38-SL CS 86-HI</p>		
	<p>061.7512.-- DEURTREKKER 300MM</p> <p>POIGNEE DE TIRAGE 300MM</p> <p>PULL HANDLE 300MM</p> <p>STOSSGRIFF 300MM</p>	<p>CS 59 CS 68 CS 77 Eco system CS 38-SL CS 86-HI</p>		
	<p>061.7513.-- DEURTREKKER 300MM</p> <p>POIGNEE DE TIRAGE 300MM</p> <p>PULL HANDLE 300MM</p> <p>STOSSGRIFF 300MM</p>	<p>CS 59 CS 68 CS 77 Eco system CS 38-SL CS 86-HI</p>		
	<p>061.7514.-- DEURTREKKER 650MM</p> <p>POIGNEE DE TIRAGE 650MM</p> <p>PULL HANDLE 650MM</p> <p>STOSSGRIFF 650MM</p>	<p>CS 59 CS 68 CS 77 Eco system CS 38-SL CS 86-HI</p>		



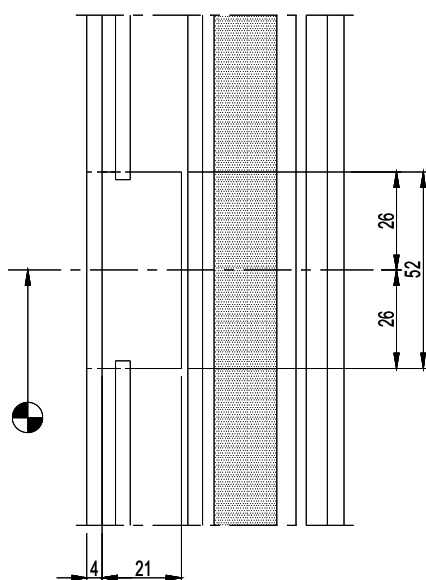
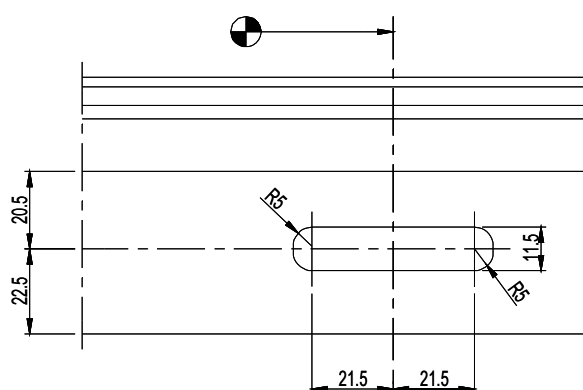
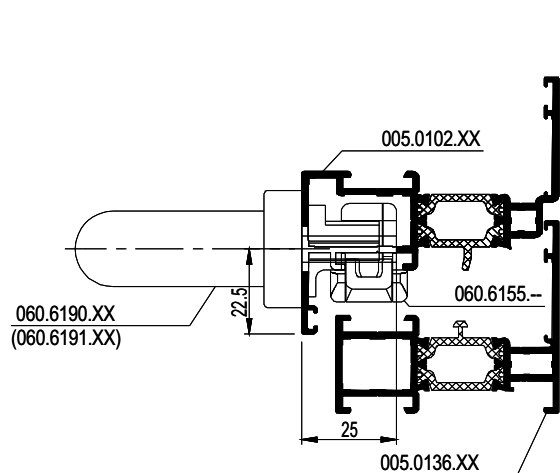
	<p>061.7515.-- DEURTREKKER 650MM</p> <p>POIGNEE DE TIRAGE 650MM</p> <p>PULL HANDLE 650MM</p> <p>STOSSGRIFF 650MM</p>	<p>CS 59 CS 68 CS 77 Eco system CS 38-SL CS 86-HI</p>		
	<p>061.7516.-- DEURTREKKER 300MM</p> <p>POIGNEE DE TIRAGE 300MM</p> <p>PULL HANDLE 300MM</p> <p>STOSSGRIFF 300MM</p>	<p>CS 59 CS 68 CS 77 Eco system CS 38-SL CS 86-HI</p>		
	<p>061.7517.-- DEURTREKKER 300MM</p> <p>POIGNEE DE TIRAGE 300MM</p> <p>PULL HANDLE 300MM</p> <p>STOSSGRIFF 300MM</p>	<p>CS 59 CS 68 CS 77 Eco system CS 38-SL CS 86-HI</p>		
	<p>061.7518.-- DEURTREKKER 400MM</p> <p>POIGNEE DE TIRAGE 400MM</p> <p>PULL HANDLE 400MM</p> <p>STOSSGRIFF 400MM</p>	<p>CS 59 CS 68 CS 77 Eco system CS 38-SL CS 86-HI</p>		
	<p>061.7519.-- DEURTREKKER 400MM</p> <p>POIGNEE DE TIRAGE 400MM</p> <p>PULL HANDLE 400MM</p> <p>STOSSGRIFF 400MM</p>	<p>CS 59 CS 68 CS 77 Eco system CS 38-SL CS 86-HI</p>		

	<p>061.7526.-- BEVESTIGINGSSET</p> <p>SET DE FIXATION</p> <p>FIXATION SET</p> <p>BEFESTIGUNGSSATZ</p>	<p>CS 68 CS 77</p>		
	<p>061.7527.-- BEVESTIGINGSSET</p> <p>SET DE FIXATION</p> <p>FIXATION SET</p> <p>BEFESTIGUNGSSATZ</p>	<p>CS 59 CS 68 Eco system CS 86-HI</p>		
	<p>061.7528.-- BEVESTIGINGSSET</p> <p>SET DE FIXATION</p> <p>FIXATION SET</p> <p>BEFESTIGUNGSSATZ</p>	<p>CS 59 CS 68 Eco system CS 38-SL CS 86-HI</p>		
	<p>061.7529.-- BEVESTIGINGSSET</p> <p>SET DE FIXATION</p> <p>FIXATION SET</p> <p>BEFESTIGUNGSSATZ</p>	<p>CS 59 CS 68 CS 77 Eco system CS 38-SL CS 86-HI</p>		
	<p>061.7530.-- BEVESTIGING</p> <p>FIXATION</p> <p>FIXINGS</p> <p>BEFESTIGUNG</p>	<p>CS 59 CS 68 CS 77 Eco system CS 38-SL CS 86-HI</p>		

	<p>061.7531.-- BEVESTIGING</p> <p>FIXATION</p> <p>FIXINGS</p> <p>BEFESTIGUNG</p>	<p>CS 68 CS 77 CS 38-SL CS 86-HI</p>		
	<p>061.7534.-- BEVESTIGINGSSET</p> <p>SET DE FIXATION</p> <p>FIXATION SET</p> <p>BEFESTIGUNGSSATZ</p>	<p>CS 59 CS 68 Eco system</p>		

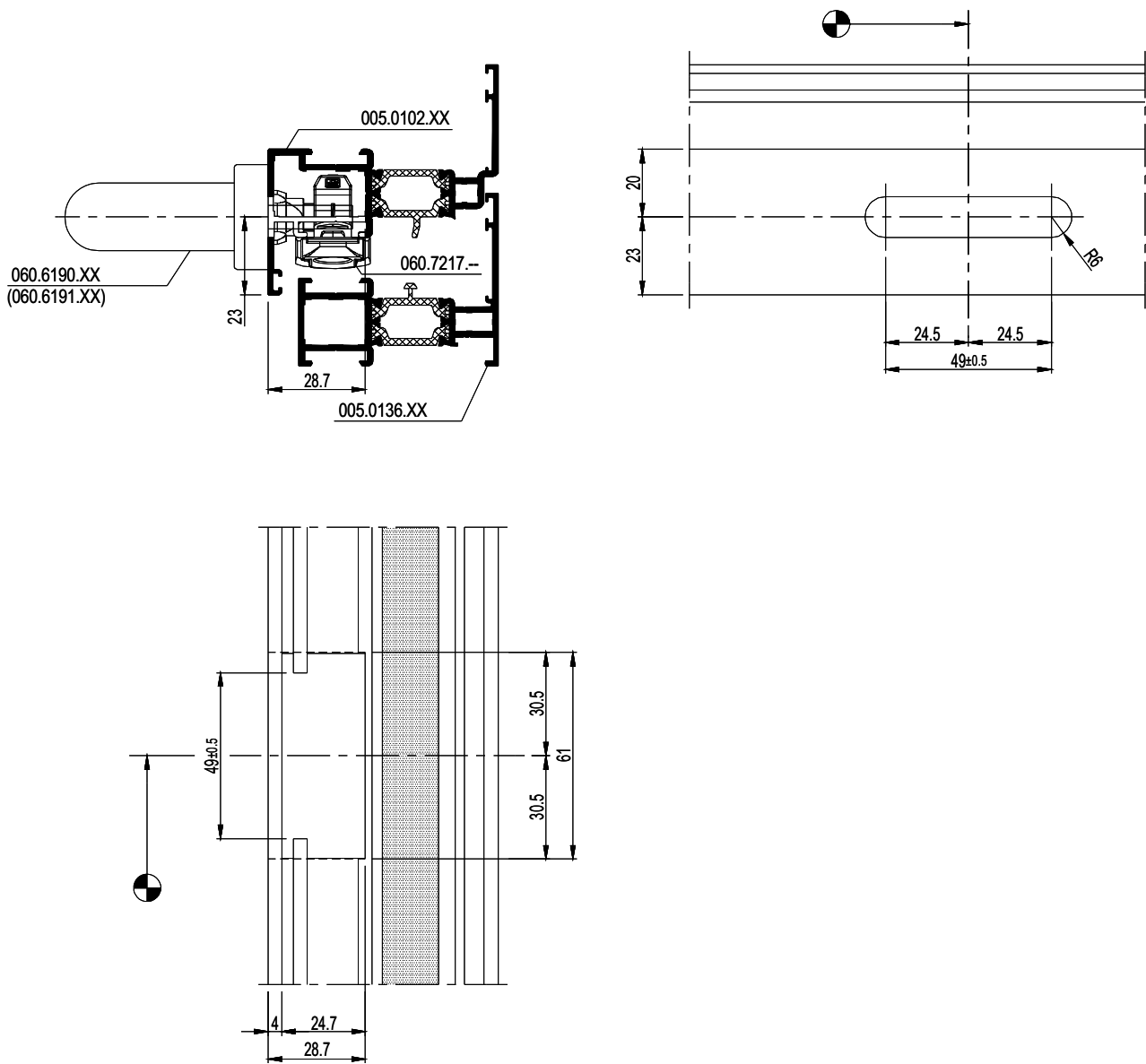
OPENING CS

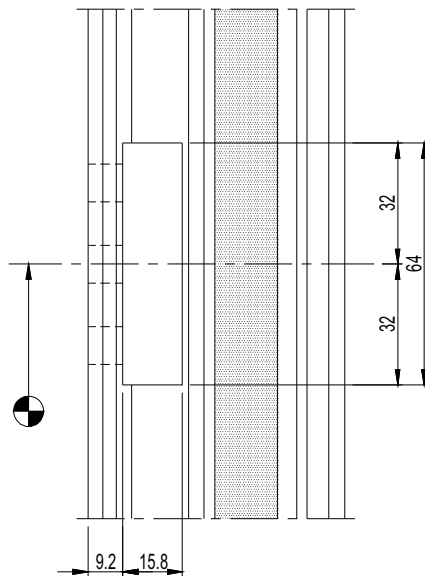
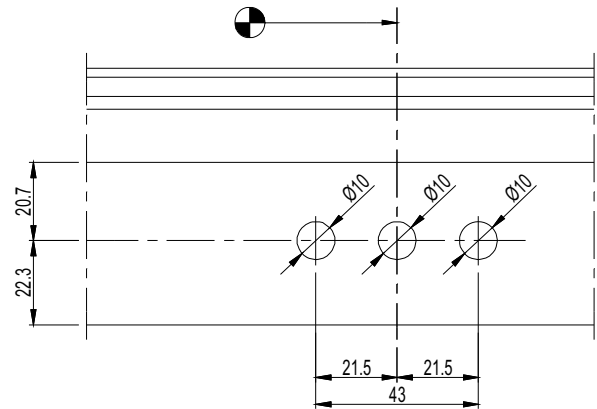
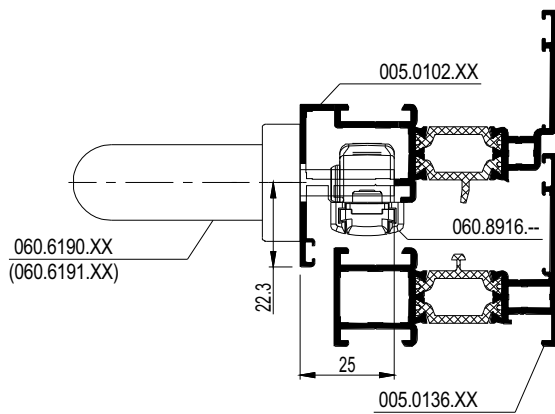
INSTEKSLLOT SOBINCO
CREMONE SERRURE SOBINCO
INTERNAL LOCKING SYSTEM SOBINCO
EINSTECKGETRIEBE SOBINCO





OPENING CS


INSTEKSLÖT SIEGENIA
CREMONE SERRURE SIEGENIA
INTERNAL LOCKING SYSTEM SIEGENIA
EINSTECKGETRIEBE SIEGENIA

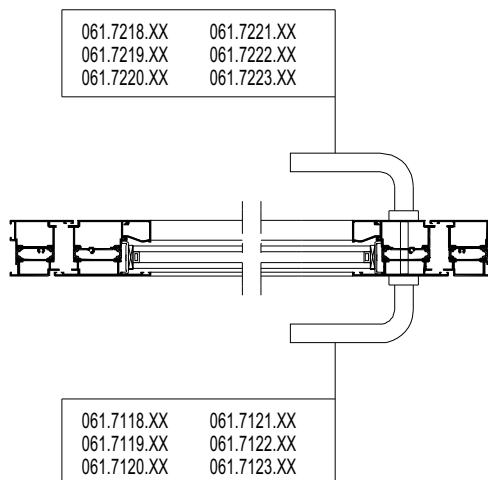
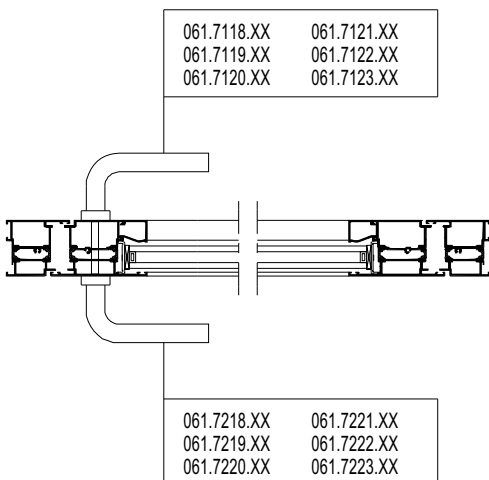
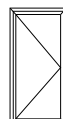
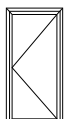
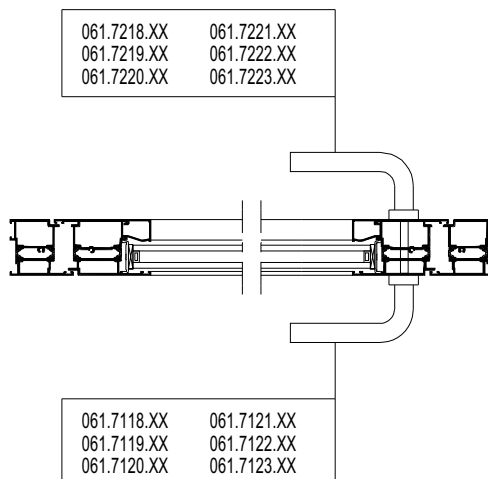
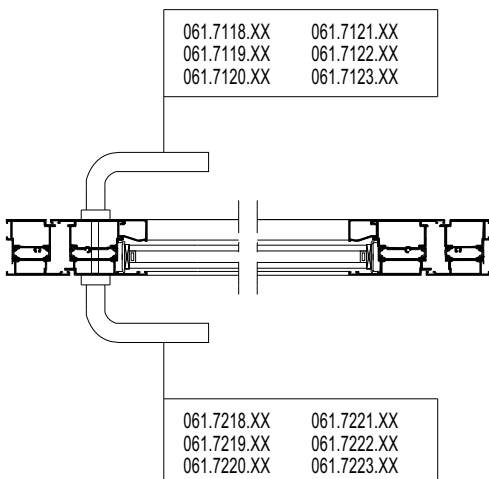
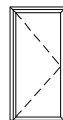
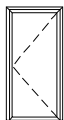




 DA.f.005 - DA.f.008	STIFT DEURKRUK TIGE BEQUILLE SPINDLE DOOR HANDLE STIFT TUERDRUECKER				
	ECO CS59	CS68	CS77	CS86-HI	CS38-SL
VLAKKE DEUR (DEURKRUK BINNEN) PORTE PLANE (BEQUILLE INTERIEUR) FLUSH DOOR (DOOR HANDLE INSIDE) FLACHE TUER (TUERDRUECKER INNEN)	061.7092.--	061.7092.--	061.7092.--	061.7092.--	
RAAMDEUR (DEURKRUK BINNEN) PORTE-FENETRE (BEQUILLE INTERIEUR) WINDOW DOOR (DOOR HANDLE INSIDE) FENSTER TUER (TUERDRUECKER INNEN)	061.7092.--	061.7092.--	061.7092.--	061.7092.--	061.7092.--
VLAKKE DEUR (DEURKRUK BINNEN/BUITEN) PORTE PLANE (BEQUILLE INT./EXT.) FLUSH DOOR (DOOR HANDLE INSIDE/OUTSIDE) FLACHE TUER (TUERDRUECKER INNEN/AUSSEN)	061.7092.--	061.7092.--	061.7093.--	061.7099.--	
RAAMDEUR (DEURKRUK BINNEN/BUITEN) PORTE-FENETRE (BEQUILLE INT./EXT.) WINDOW DOOR (DOOR HANDLE INSIDE/OUTSIDE) FENSTER TUER (TUERDRUECKER INNEN/AUSSEN)	061.7092.--	061.7093.--	061.7099.--	061.7099.--	061.7093.--

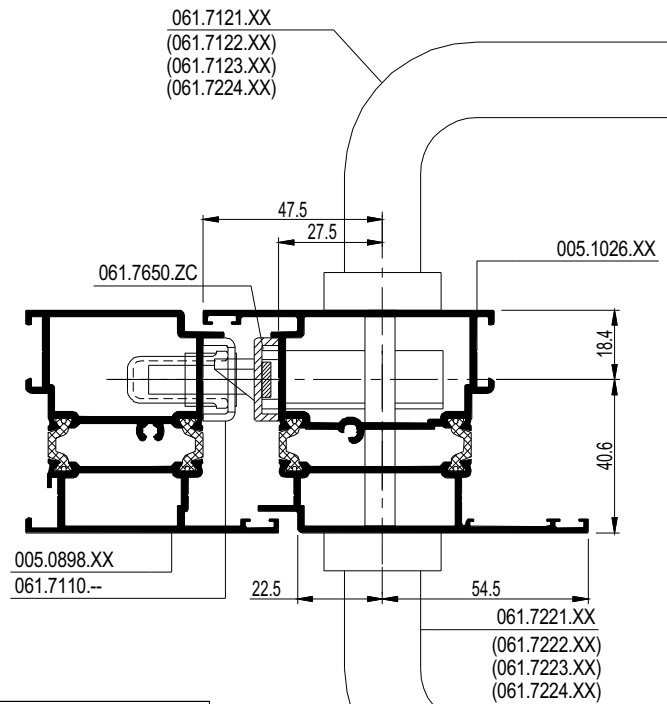
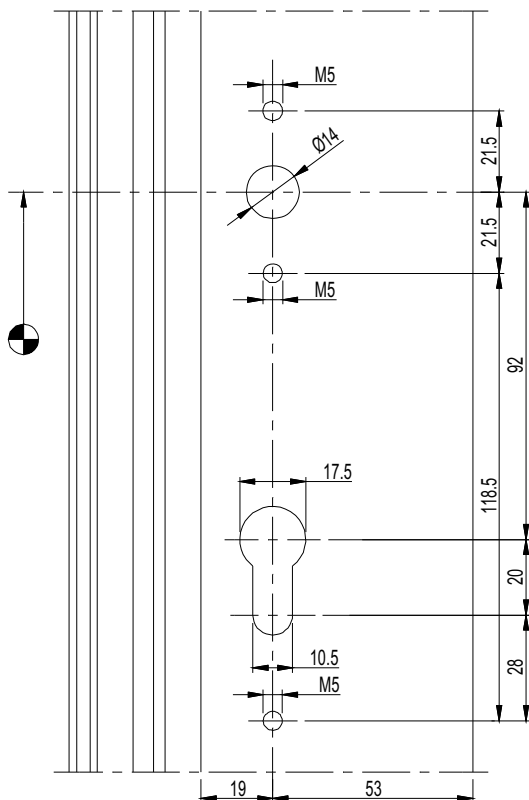
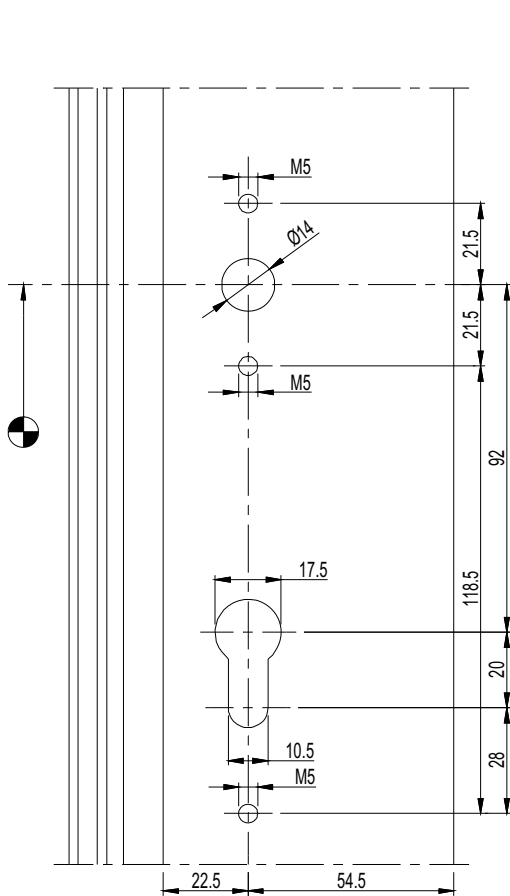
 DA.f.009 - DA.f.010	BEVESTIGINGSSET DEURTREKKER SET DE FIXATION POIGNEE DE TIRAGE FIXATION SET PULL HANDLE BEFESTIGUNGSSATZ STOSSGRIFF				
	ECO CS59	CS68	CS77	CS86-HI	CS38-SL
VLAKKE DEUR (45° DEURTREKKER BUITEN) PORTE PLANE (45° POIGNEE DE TIRAGE EXTERIEUR) FLUSH DOOR (45° PULL HANDLE OUTSIDE) FLACHE TUER (45° STOSSGRIFF AUSSEN)	061.7529.--	061.7529.--	061.7529.--	061.7529.--	
RAAMDEUR (45° DEURTREKKER BUITEN) PORTE-FENETRE (45° POIGNEE DE TIRAGE EXTERIEUR) WINDOW DOOR (45° PULL HANDLE OUTSIDE) FENSTER TUER (45° STOSSGRIFF AUSSEN)	061.7529.--	061.7529.--	061.7529.--	061.7529.--	061.7529.--
VLAKKE DEUR (90° DEURTREKKER BUITEN) PORTE PLANE (90° POIGNEE DE TIRAGE EXTERIEUR) FLUSH DOOR (90° PULL HANDLE OUTSIDE) FLACHE TUER (90° STOSSGRIFF AUSSEN)	061.7530.--	061.7530.--	061.7530.--	061.7530.--	
RAAMDEUR (90° DEURTREKKER BUITEN) PORTE-FENETRE (90° POIGNEE DE TIRAGE EXTERIEUR) WINDOW DOOR (90° PULL HANDLE OUTSIDE) FENSTER TUER (90° STOSSGRIFF AUSSEN)	061.7530.--	061.7530.--	061.7530.--	061.7530.--	061.7530.--

 DA.f.011 - DA.f.012 * 2 X ENKELE DEURTREKKER GEBRUIKEN EMPLOI DE 2 X POIGNEE DE TIRAGE SIMPLE USE 2 X SINGLE DOOR PULL 2 X EINFACHE STOSSGRIFF ANWENDEN	BEVESTIGINGSSET DEURTREKKER SET DE FIXATION POIGNEE DE TIRAGE FIXATION SET PULL HANDLE BEFESTIGUNGSSATZ STOSSGRIFF				
	ECO CS59	CS68	CS77	CS86-HI	CS38-SL
VLAKKE DEUR (45° DEURTREKKER BINNEN/BUITEN) PORTE PLANE (45° POIGNEE DE TIRAGE INT./EXT.) FLUSH DOOR (45° PULL HANDLE INSIDE/OUTSIDE) FLACHE TUER (45° STOSSGRIFF INNEN/AUSSEN)	061.7527.--	061.7528.--	061.7526.--	*	
RAAMDEUR (45° DEURTREKKER BINNEN/BUITEN) PORTE-FENETRE (45° POIGNEE DE TIRAGE INT./EXT.) WINDOW DOOR (45° PULL HANDLE INSIDE/OUTSIDE) FENSTER TUER (45° STOSSGRIFF INNEN/AUSSEN)	061.7528.--	061.7526.--	2 x 061.7529.--	*	061.7528.--
VLAKKE DEUR (90° DEURTREKKER BINNEN/BUITEN) PORTE PLANE (90° POIGNEE DE TIRAGE INT./EXT.) FLUSH DOOR (90° PULL HANDLE INSIDE/OUTSIDE) FLACHE TUER (90° STOSSGRIFF INNEN/AUSSEN)	061.7534.--	061.7534.--	061.7531.--	061.7531.--	
RAAMDEUR (90° DEURTREKKER BINNEN/BUITEN) PORTE-FENETRE (90° POIGNEE DE TIRAGE INT./EXT.) WINDOW DOOR (90° PULL HANDLE INSIDE/OUTSIDE) FENSTER TUER (90° STOSSGRIFF INNEN/AUSSEN)	061.7534.--	061.7531.--	061.7531.--	*	061.7531.--



OPENING CS

UITFREZING BESLAG VOOR SLOT SOBINCO
 FRAISAGE ACCESSOIRES POUR FERMETURE SOBINCO
 MILLING ACCESSORIES FOR LOCK SOBINCO
 AUSFRAESUNG BESCHLAG FÜR SCHLOSS SOBINCO

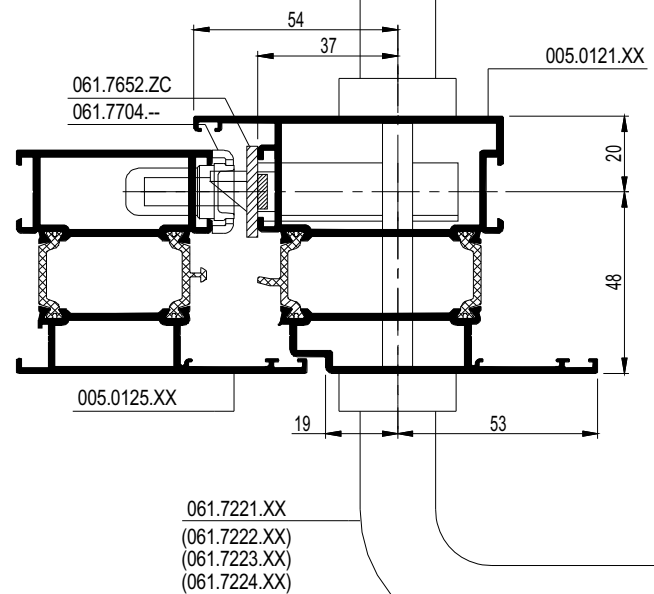


DEURKRUK
 BEQUILLE
 DOOR HANDLE
 TUERDRUECKER

061.7121.XX
 061.7122.XX
 061.7123.XX
 061.7221.XX
 061.7222.XX
 061.7223.XX
 061.7224.XX

FBmin = 900mm

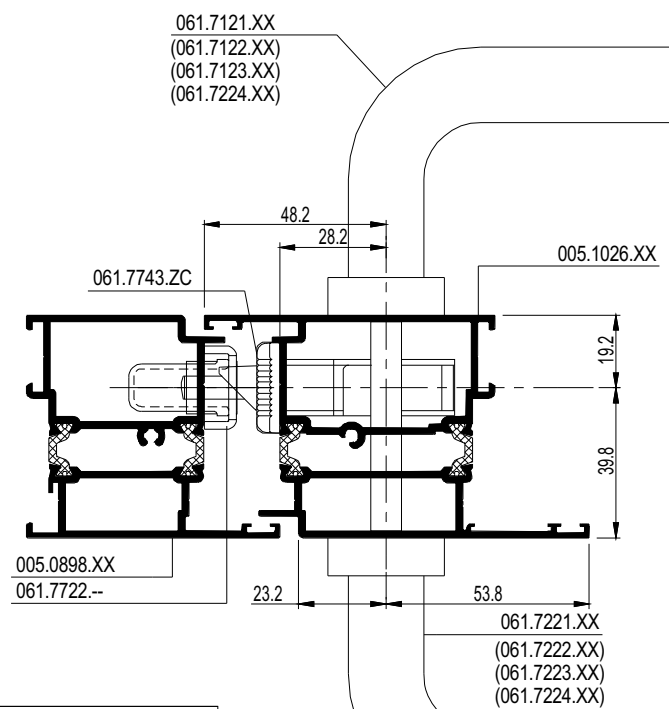
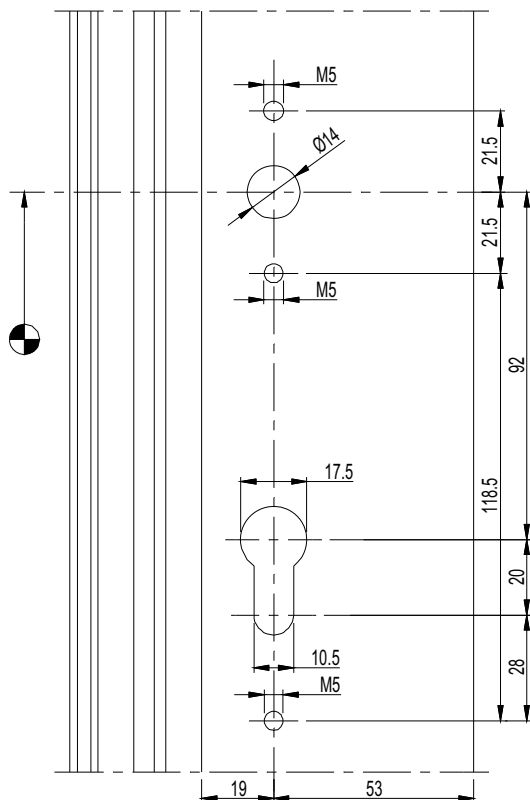
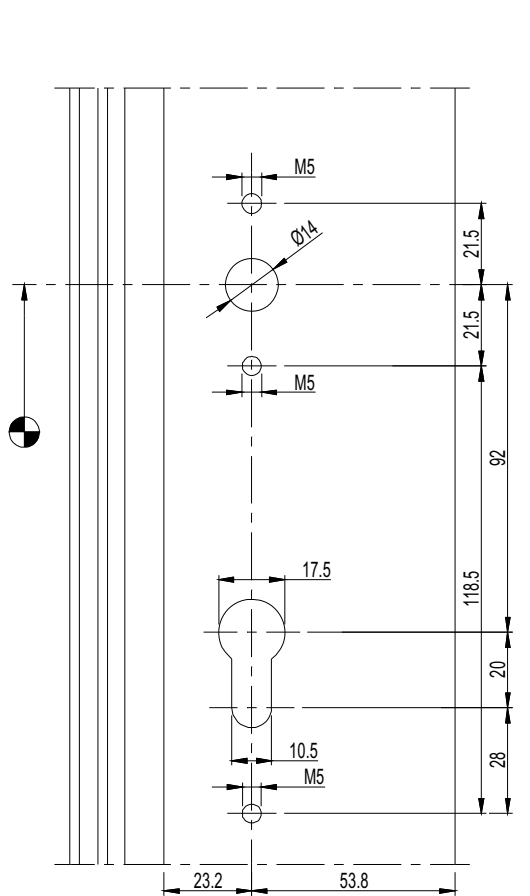
061.7121.XX
 (061.7122.XX)
 (061.7123.XX)
 (061.7224.XX)



D0059980

OPENING CS

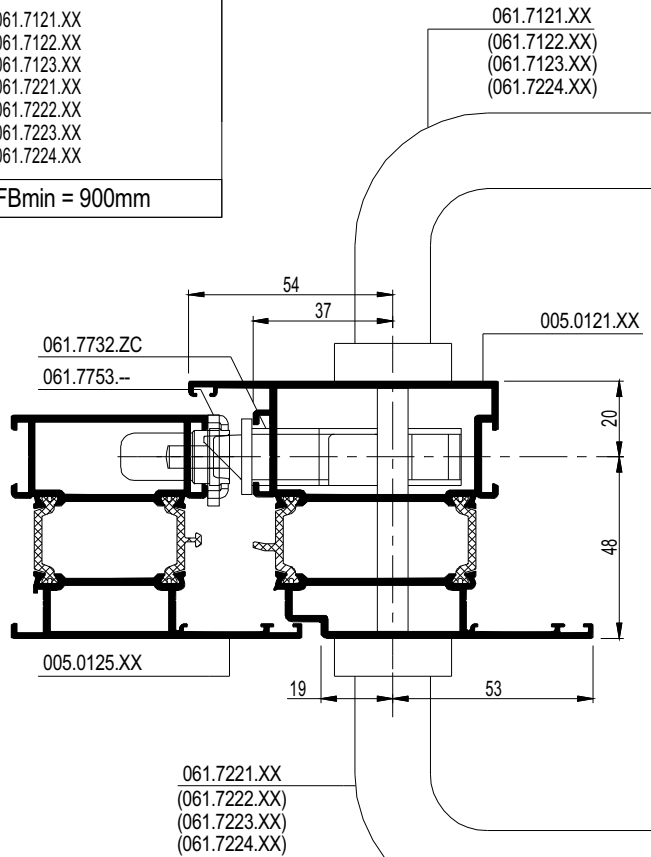
UITFREZING BESLAG VOOR SLOT WILKA
 FRAISAGE ACCESSOIRES POUR FERMETURE WILKA
 MILLING ACCESSORIES FOR LOCK WILKA
 AUSFRAESUNG BESCHLAG FÜR SCHLOSS WILKA



DEURKRUK
 BEQUILLE
 DOOR HANDLE
 TUERDRUECKER

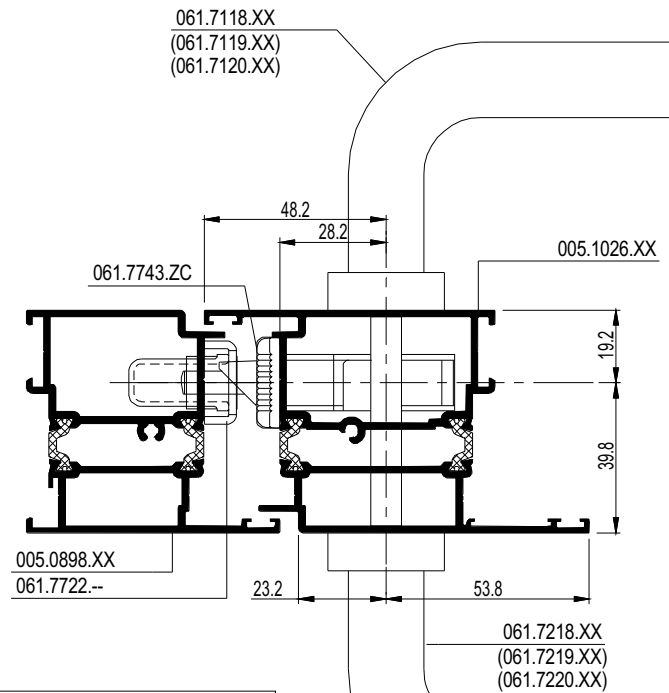
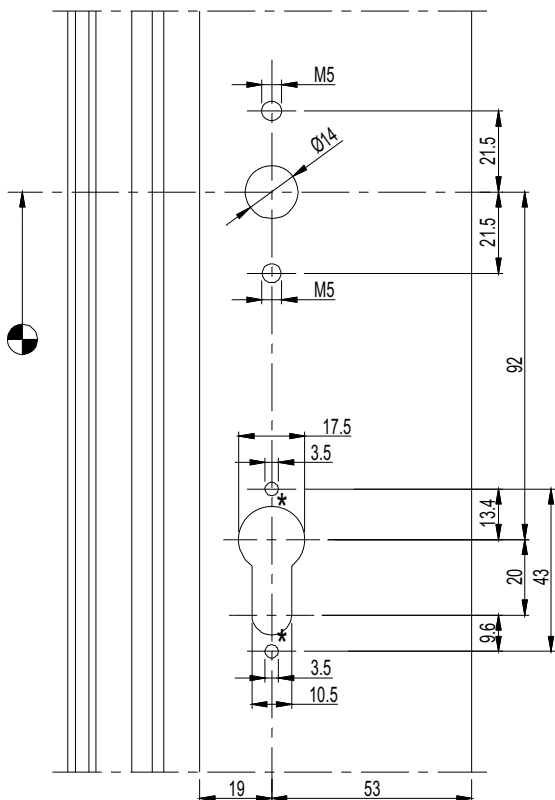
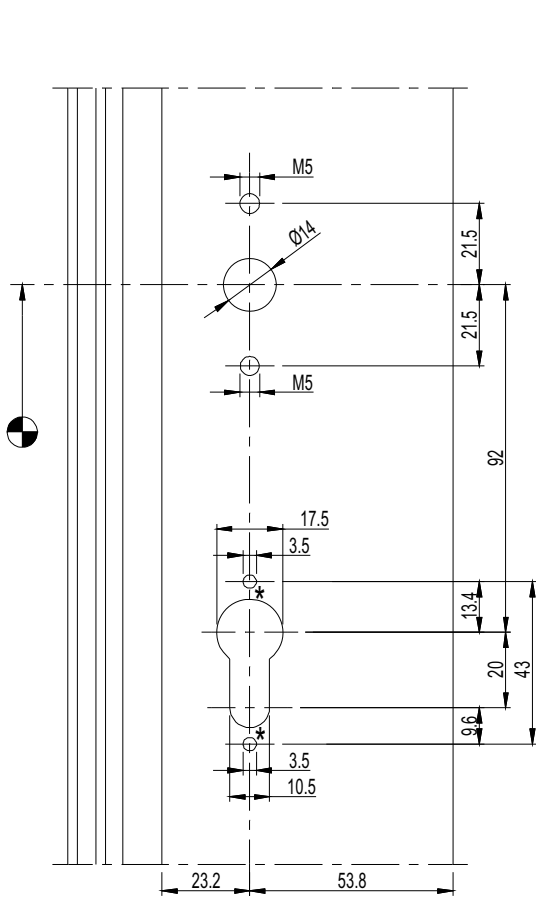
061.7121.XX
 061.7122.XX
 061.7123.XX
 061.7221.XX
 061.7222.XX
 061.7223.XX
 061.7224.XX

FBmin = 900mm



OPENING CS

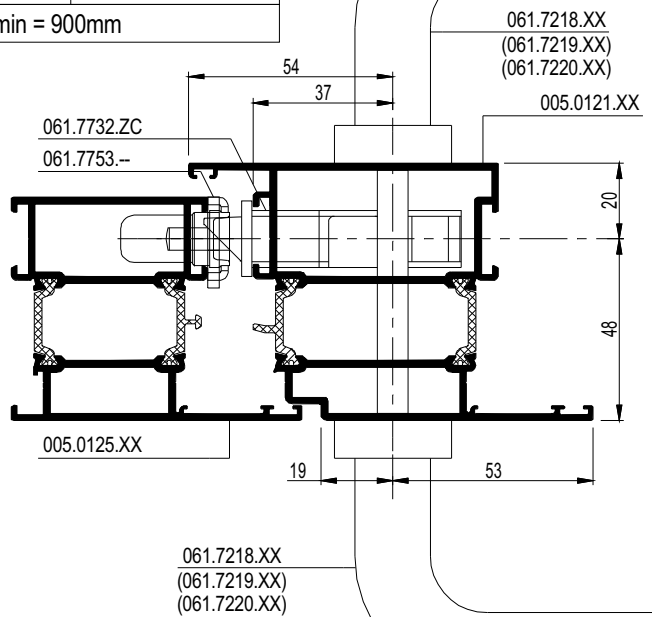
UITFREZING BESLAG VOOR SLOT WILKA
 FRAISAGE ACCESSOIRES POUR FERMETURE WILKA
 MILLING ACCESSORIES FOR LOCK WILKA
 AUSFRAESUNG BESCHLAG FÜR SCHLOSS WILKA



**DEURKRUK
 BEQUILLE
 DOOR HANDLE
 TUERDRUECKER**

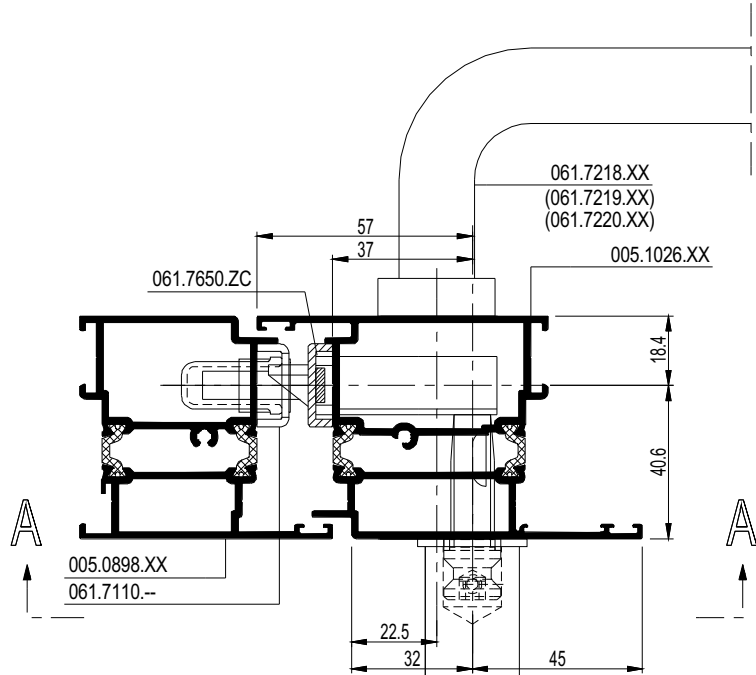
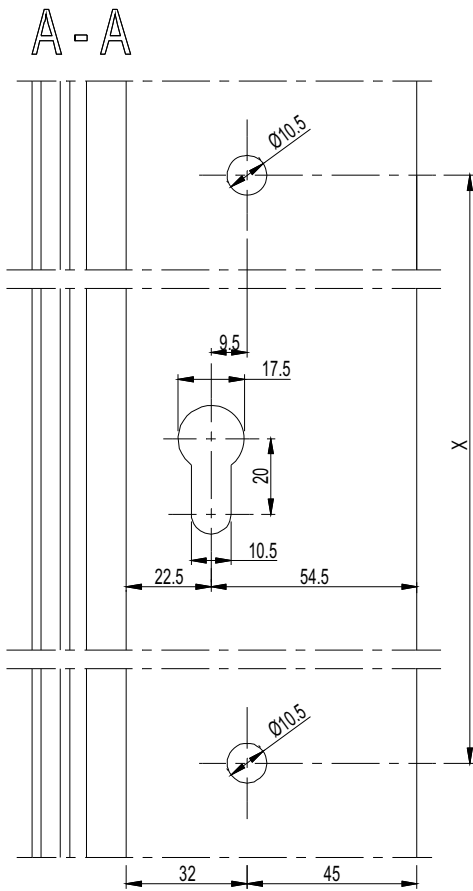
061.7118.XX	* 2 x gat M3.5
061.7119.XX	* 2 x forage M3.5
061.7120.XX	* 2 x Bohrung M3.5
061.7218.XX	* 2 x hole M3.5
061.7219.XX	als 061.6968.XX
061.7220.XX	si 061.6968.XX
	if 061.6968.XX
	wenn 061.6968.XX

FBmin = 900mm



OPENING CS

UITFREZING BESLAG VOOR SLOT SOBINCO
 FRAISAGE ACCESSOIRES POUR FERMETURE SOBINCO
 MILLING ACCESSORIES FOR LOCK SOBINCO
 AUSFRAESUNG BESCHLAG FÜR SCHLOSS SOBINCO

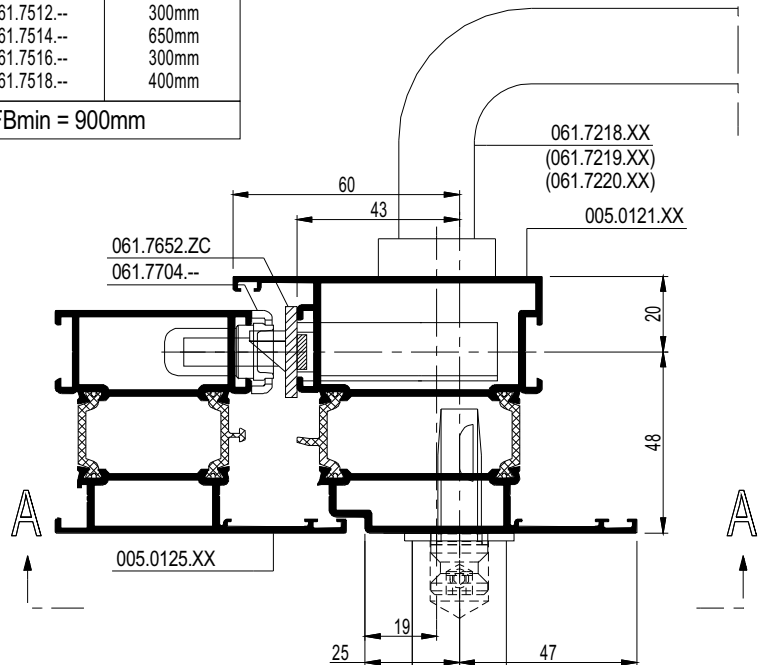
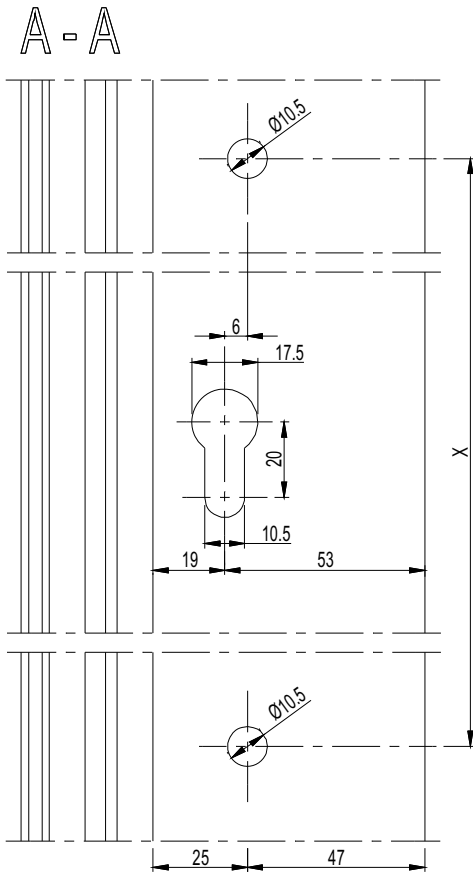


DEURTREKKER (enkele bevestiging)
 POIGNEE DE TIRAGE (fixation simple)
 PULL HANDLE (single fixation)
 STOSSGRIFF (Einzelbefestigung)

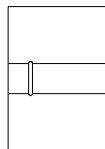
	X
061.7500.--	300mm
061.7502.--	500mm
061.7504.--	300mm
061.7506.--	650mm
061.7508.--	300mm
061.7510.--	500mm
061.7512.--	300mm
061.7514.--	650mm
061.7516.--	300mm
061.7518.--	400mm

FBmin = 900mm

- (061.7500.--)
- (061.7502.--)
- 061.7504.--
- (061.7506.--)
- (061.7508.--)*
- (061.7510.--)*
- (061.7512.--)*
- (061.7514.--)*
- (061.7516.--)*
- (061.7518.--)*



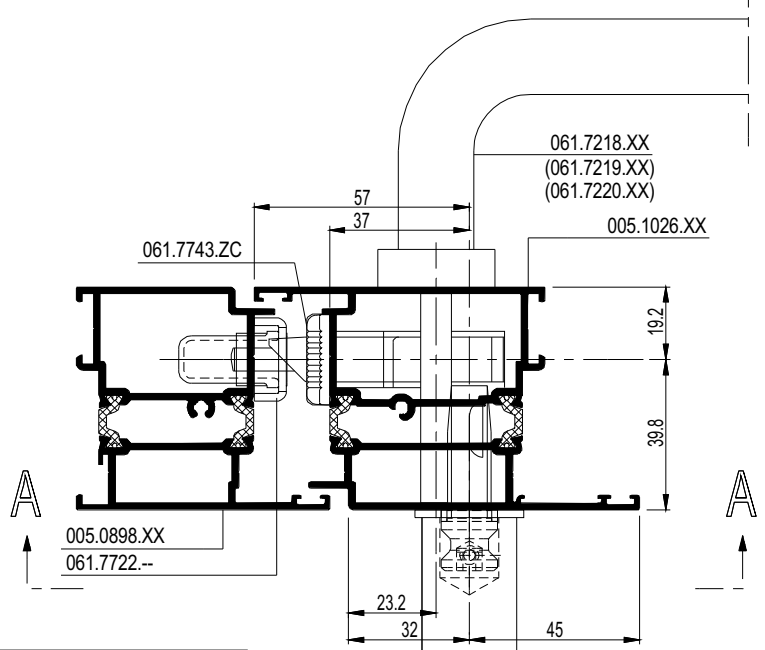
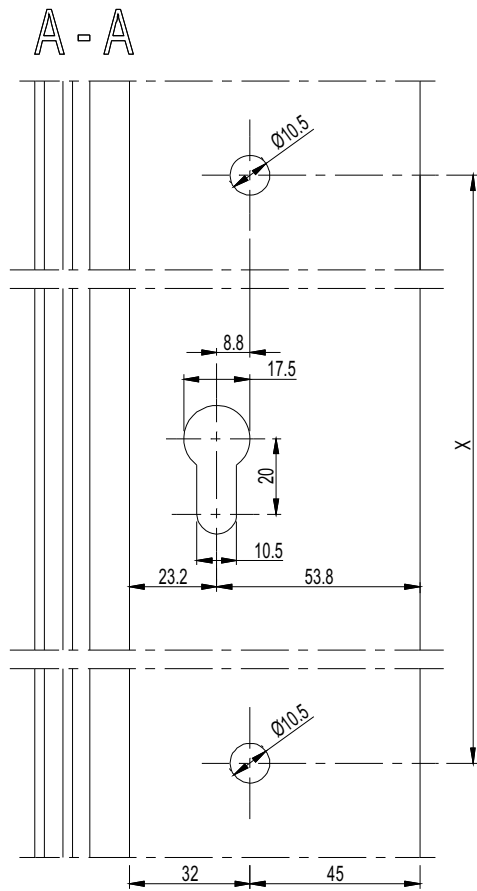
* CAUTION: USE ONLY ON T-PROFILE !



- (061.7500.--)
- (061.7502.--)
- 061.7504.--
- (061.7506.--)
- (061.7508.--)*
- (061.7510.--)*
- (061.7512.--)*
- (061.7514.--)*
- (061.7516.--)*
- (061.7518.--)*

OPENING CS

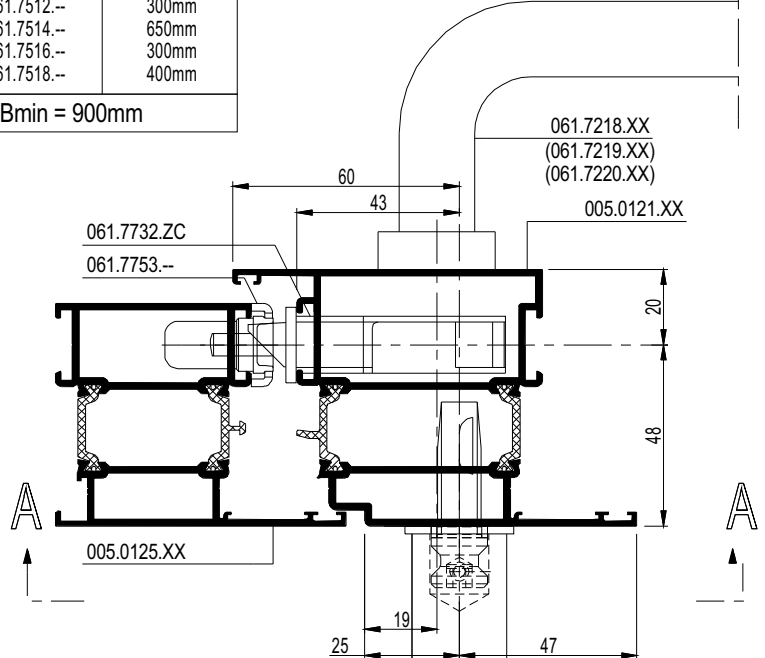
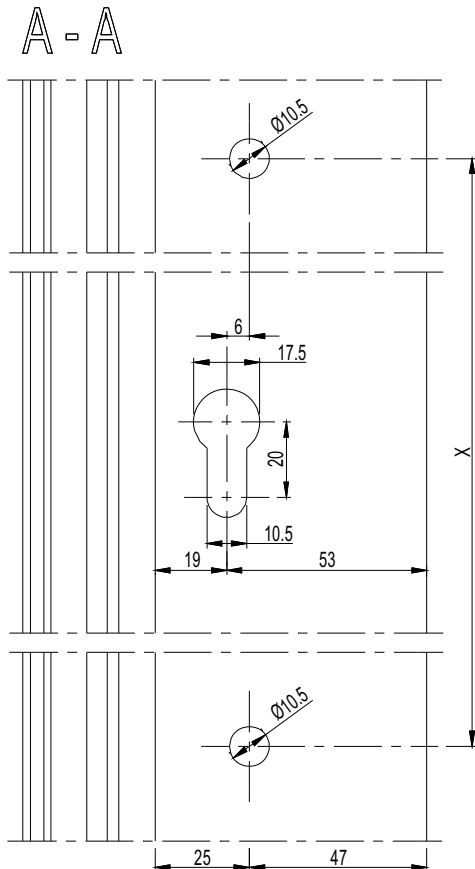
UITFREZING BESLAG VOOR SLOT WILKA
 FRAISAGE ACCESSOIRES POUR FERMETURE WILKA
 MILLING ACCESSORIES FOR LOCK WILKA
 AUSFRAESUNG BESCHLAG FÜR SCHLOSS WILKA



DEURTREKKER (enkele bevestiging) POIGNEE DE TIRAGE (fixation simple) PULL HANDLE (single fixation) STOSSGRIFF (Einzelbefestigung)	
	X
061.7500.--	300mm
061.7502.--	500mm
061.7504.--	300mm
061.7506.--	650mm
061.7508.--	300mm
061.7510.--	500mm
061.7512.--	300mm
061.7514.--	650mm
061.7516.--	300mm
061.7518.--	400mm

FBmin = 900mm

- (061.7500.--)
- (061.7502.--)
- 061.7504.--
- (061.7506.--)
- (061.7508.--)*
- (061.7510.--)*
- (061.7512.--)*
- (061.7514.--)*
- (061.7516.--)*
- (061.7518.--)*

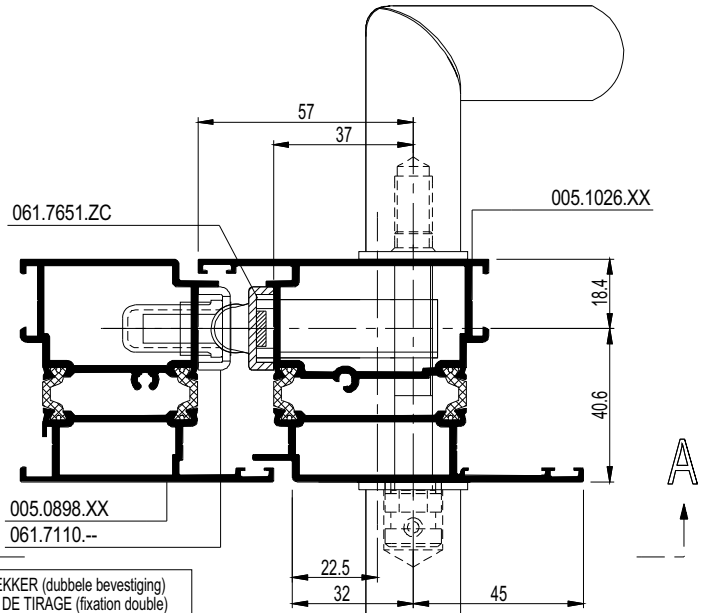
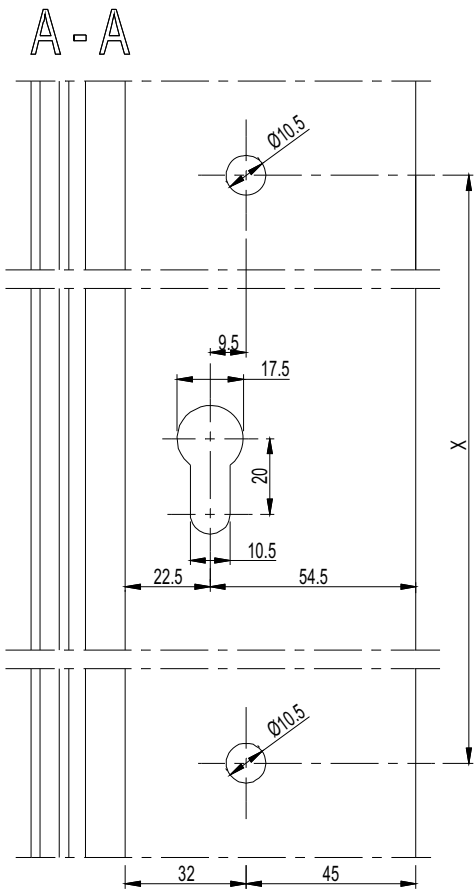


*** CAUTION: USE ONLY ON T-PROFILE !**

- (061.7500.--)
- (061.7502.--)
- 061.7504.--
- (061.7506.--)
- (061.7508.--)*
- (061.7510.--)*
- (061.7512.--)*
- (061.7514.--)*
- (061.7516.--)*
- (061.7518.--)*

OPENING CS

UITFREZING BESLAG VOOR SLOT SOBINCO
 FRAISAGE ACCESSOIRES POUR FERMETURE SOBINCO
 MILLING ACCESSORIES FOR LOCK SOBINCO
 AUSFRAESUNG BESCHLAG FÜR SCHLOSS SOBINCO

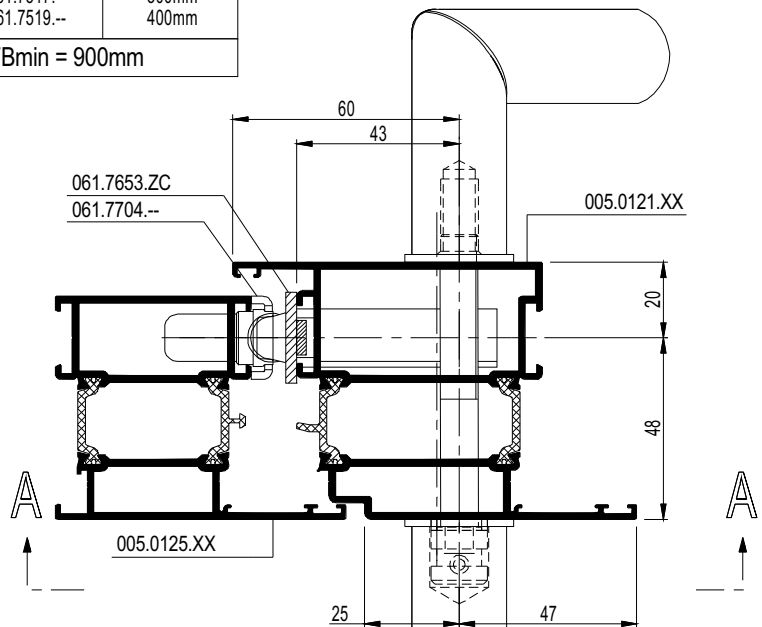
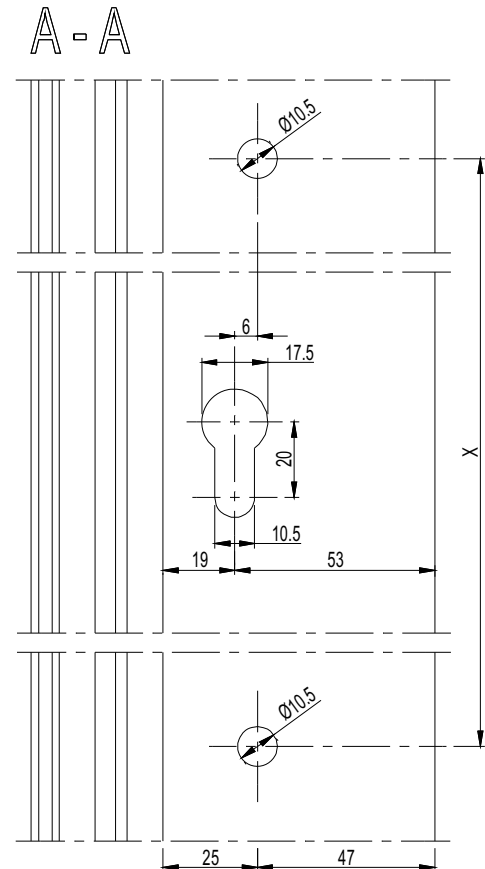


DEURTREKKER (dubbele bevestiging)
 POIGNEE DE TIRAGE (fixation double)
 PULL HANDLE (Double fixations)
 STOSSGRIFF (Doppelbefestigung)

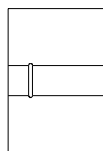
	X
061.7501.--	300mm
061.7503.--	500mm
061.7505.--	300mm
061.7507.--	650mm
061.7509.--	300mm
061.7511.--	500mm
061.7513.--	300mm
061.7515.--	650mm
061.7517.--	300mm
061.7519.--	400mm

FBmin = 900mm

- (061.7501.--)
- (061.7503.--)
- 061.7505.--
- (061.7507.--)
- (061.7509.--)*
- (061.7511.--)*
- (061.7513.--)*
- (061.7515.--)*
- (061.7517.--)*
- (061.7519.--)*



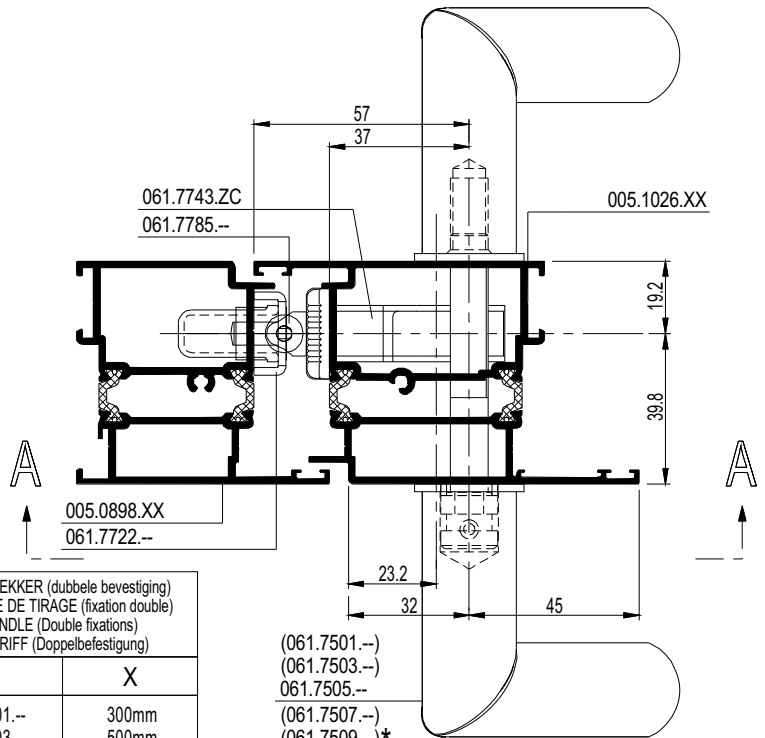
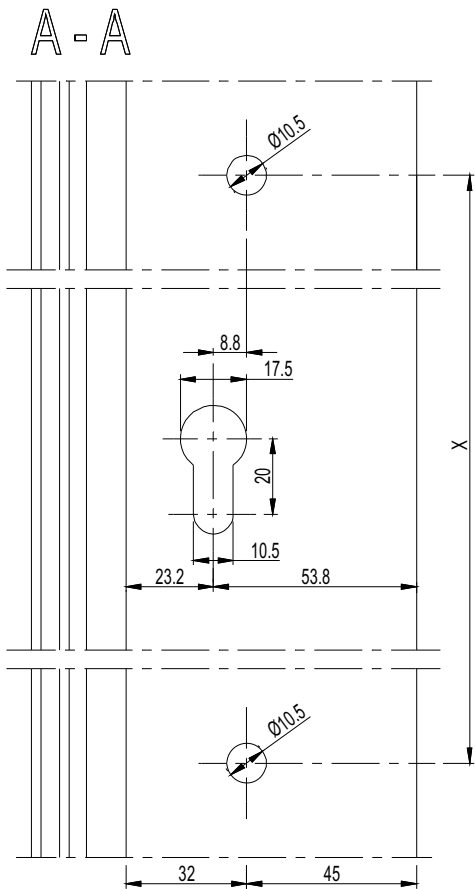
* CAUTION: USE ONLY ON T-PROFILE!



- (061.7501.--)
- (061.7503.--)
- 061.7505.--
- (061.7507.--)
- (061.7509.--)*
- (061.7511.--)*
- (061.7513.--)*
- (061.7515.--)*
- (061.7517.--)*
- (061.7519.--)*

OPENING CS

UITFREZING BESLAG VOOR SLOT WILKA
 FRAISAGE ACCESSOIRES POUR FERMETURE WILKA
 MILLING ACCESSORIES FOR LOCK WILKA
 AUSFRAESUNG BESCHLAG FÜR SCHLOSS WILKA

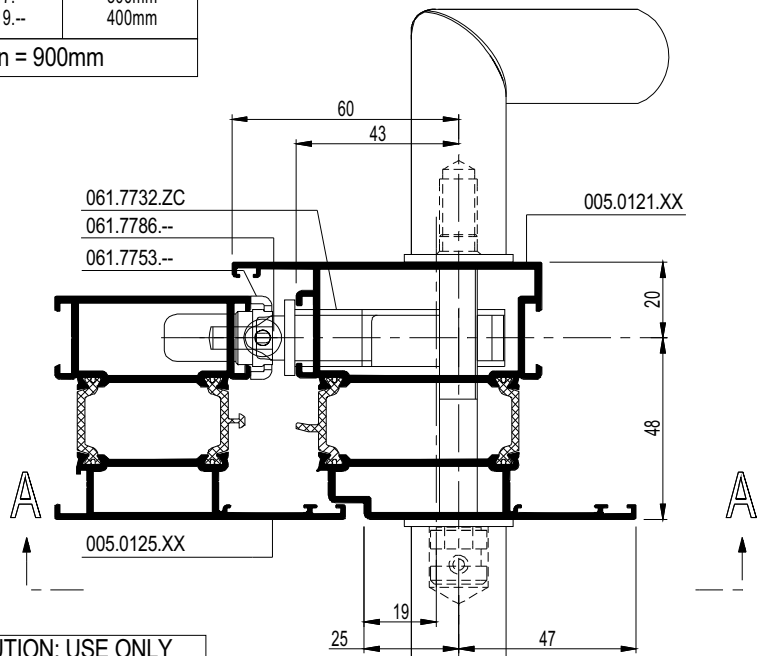
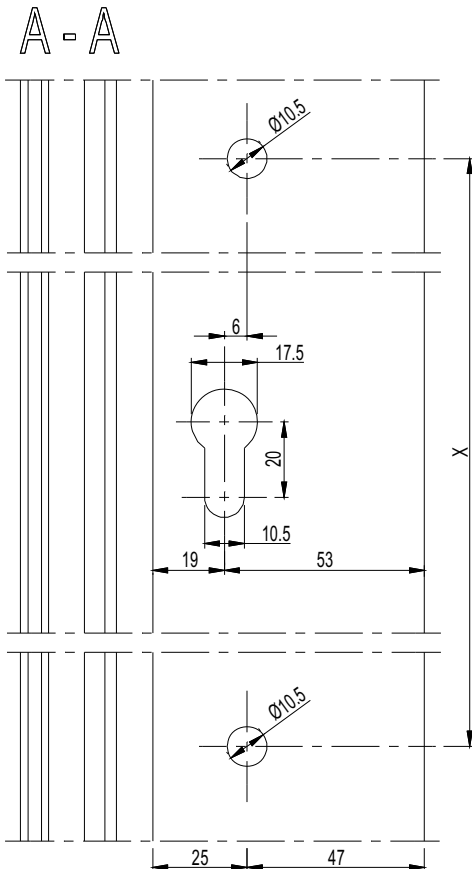


DEURTREKKER (dubbele bevestiging)
 POIGNEE DE TIRAGE (fixation double)
 PULL HANDLE (Double fixations)
 STOSSGRIF (Doppelbefestigung)

	X
061.7501.--	300mm
061.7503.--	500mm
061.7505.--	300mm
061.7507.--	650mm
061.7509.--	300mm
061.7511.--	500mm
061.7513.--	300mm
061.7515.--	650mm
061.7517.--	300mm
061.7519.--	400mm

FBmin = 900mm

- (061.7501.--)
- (061.7503.--)
- 061.7505.--
- (061.7507.--)
- (061.7509.--)*
- (061.7511.--)*
- (061.7513.--)*
- (061.7515.--)*
- (061.7517.--)*
- (061.7519.--)*



*** CAUTION: USE ONLY ON T-PROFILE !**

- (061.7501.--)
- (061.7503.--)
- 061.7505.--
- (061.7507.--)
- (061.7509.--)*
- (061.7511.--)*
- (061.7513.--)*
- (061.7515.--)*
- (061.7517.--)*
- (061.7519.--)*



www.reynaers.com