



# FIREPROOF SOLUTIONS



Reynaers Aluminium has launched a complete range of fireproof solutions, compliant with European standards. This range comes as a further extension to its existing fireproof curtain wall system (CW 50-FP) and offers an innovative fireproof window and door solution based on the well-known CS 77. The new solutions can also be integrated with all other Reynaers products.

A major trend in building construction is to sub-divide buildings into various fireproof sections that are interconnected by fireproof escape routes and fire exits. This offers an increased level of security for the building users and buildings in close proximity but also gives the building a higher value.

Reynaers' Fire Proof solutions provide:

- escape routes for minimal 30 or 60 minutes to ensure safe evacuation for all people inside the building
- limited temperature increase for minimal 30 or 60 minutes, protecting people on the other side of the fire
- a 30 or 60 minutes fire proof time span before the fire spreads in-or outside the building
- insulation from burning buildings in close proximity to it

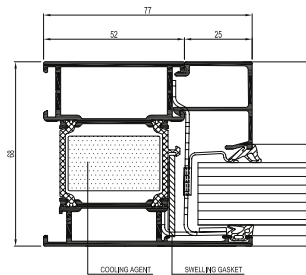
# CS 77-FP

The CS 77-FP EI30 and EI60 was developed based on the existing CS 77 profiles and accessories for windows and doors and was tested in an optimized European test and approval program. The fireproofing time span is achieved by inserting a special cooling material into the profile chambers and by using self-adhesive and water-resistant swelling gaskets. These gaskets do not need to be sealed, reducing fabrication time of the profiles and saving costs.

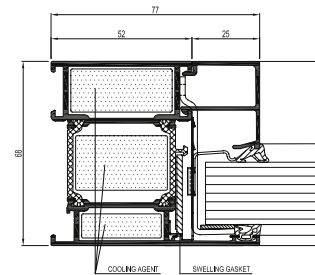
The CS 77 fireproof range is available as outward opening single and double doors, panic doors, combined fixed window elements as well as glazed partition walls. This extensive range of configurations offers one of the largest ranges of options and combinations for architects to work with. Furthermore a large choice of accessories and locking devices is available.

## CS 77-FP GLAZED PARTITION WALLS / FIXED WINDOW ELEMENTS

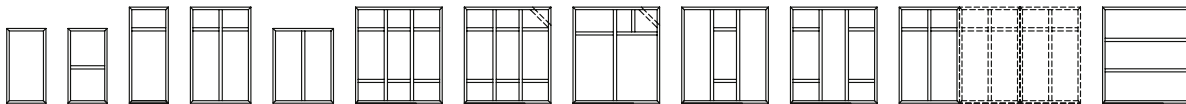
### EI30



### EI60

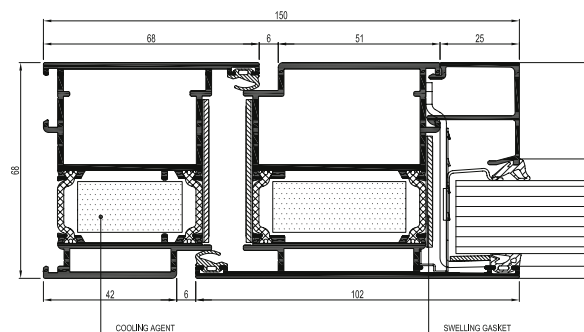


### Approved configurations

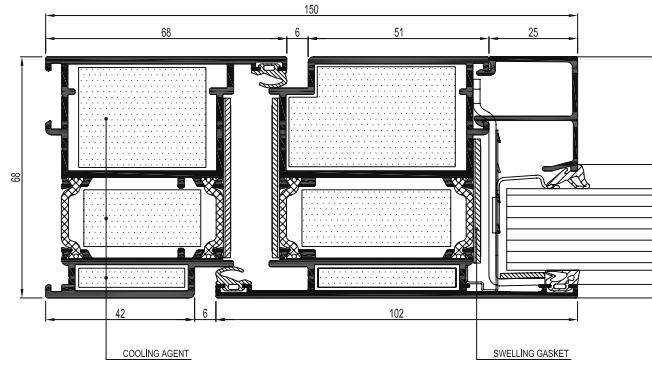


## CS 77-FP DOORS

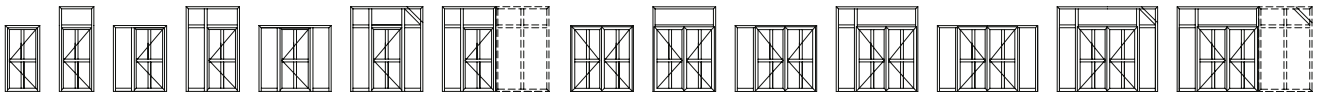
### EI30



## E160



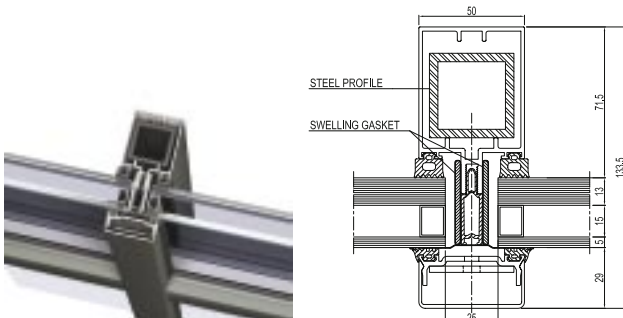
## Approved configurations



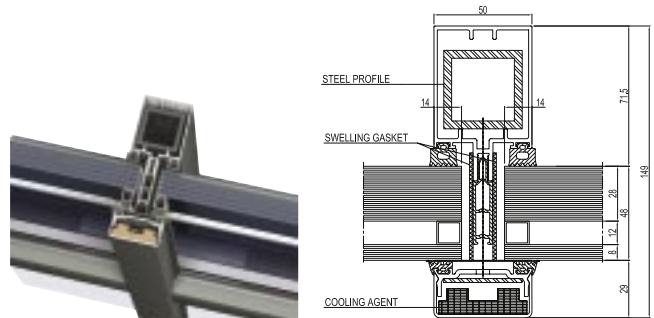
# CW 50-FP

CW 50-FP EI30 offers a 30 minutes fireproofing time span which is obtained by inserting steel tubes in the mullions and by using fire resistant swelling gaskets. With CW 50-FP EI60 the time factor extends from 30 to 60 minutes by adding a minimal cooling agent. Both CW 50-FP versions can be used seamlessly next to the full CW 50 range as they are visually identical.

## EI30



## EI60



## TECHNICAL CHARACTERISTICS

	<b>CS 77-FP EI30</b>	<b>CS 77-FP EI60</b>	<b>CW 50-FP EI30</b>	<b>CW 50-FP EI60</b>
Rebate height	25 mm	25 mm	20 mm	20 mm
Glass thickness	from 15 mm to 51 mm	from 23 mm to 51 mm	33 mm	48 mm
Glazing method	dry glazing with EPDM	dry glazing with EPDM	fixing by pressure plates	fixing by pressure plates
Fire resistance classification	EW30, E30, EI30	EI45, EW60, E60, EI60	EI15, EW30, E30, EI30	EW60, E60, EI60

## PERFORMANCES

All Reynaers fireproof systems are tested in close cooperation with notified institutions across Europe. A special European test program was defined to certificate all the required configurations.

	<b>CS 77-FP EI30</b>	<b>CS 77-FP EI60</b>	<b>CW 50-FP EI30</b>	<b>CW 50-FP EI60</b>
European testing standards	EN 1364-1 EN 1634-1	EN 1364-1 EN 1634-1	EN 1364-3	EN 1364-3
Classification standard	EN 13501-2	EN 13501-2	EN 13501-2	EN 13501-2

REYNAERS ALUMINIUM NV/SA • [www.reynaers.com](http://www.reynaers.com) • [info@reynaers.com](mailto:info@reynaers.com)  
11/2008 - 0H0.98C2.00 - Publisher Responsible at Law: L. Finé, Oude Liersebaan 266, B-2570 Duffel

