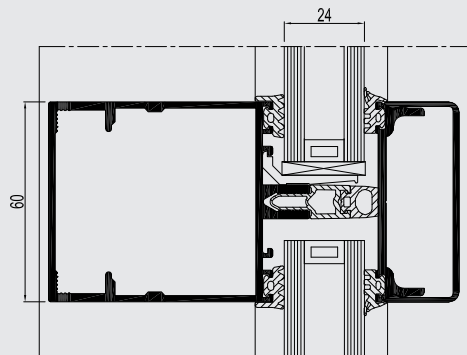
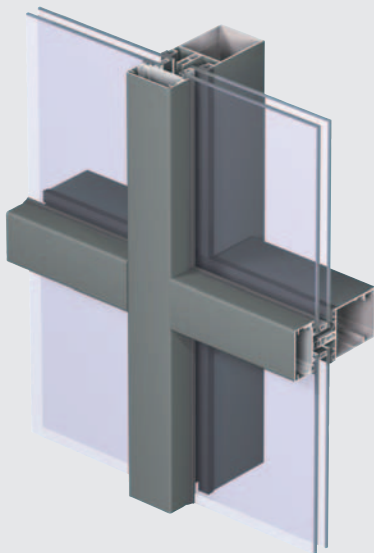




# CW 60

Curtain Walls

**R**  
REYNAERS  
aluminium



CW 60 is an excellent thermally improved curtain wall system for large glass surfaces (cassettes can hold a weight up to 450 kg per glass panel), sloping and vertical or curved constructions, especially for renovation projects.

The glazing is secured by clamp guides on the supporting construction and is held gripped under a rebate height of 25 mm. CW 60 is made up of an extensive profile range and facilitates the integration of all types of vent systems. The updated CW 60 offers four individual styles which each allow for the application of various outside appearances.

## TECHNICAL CHARACTERISTICS

Style variants	CW 60	CW 60-HI	CW 60-SC	CW 60-SG
	functional	ultimate thermal comfort	structural clamped glazing	structural sealed glazing
Inside visible width	60 mm	60 mm	60 mm	60/88 mm
Outside visible width	60 mm	60 mm	Silicon joint or EPDM gasket of 20mm width	EPDM gasket of 27mm width
Outer covering caps	different heights/ shapes available	different heights/ shapes available	not applicable	not applicable
Depth mullions	from 79 mm to 268 mm	from 79 mm to 268 mm	from 79 mm to 268 mm	from 79 mm to 268 mm
Depth transoms	from 78.4 mm to 204.4 mm	from 78.4 mm to 204.4 mm	from 78.4 mm to 204.4 mm	from 78.4 mm to 204.4 mm
Inertia mullions (Ix: wind load)	min 44.6 cm <sup>4</sup> to 1914 cm <sup>4</sup>	min 44.6 cm <sup>4</sup> to 1914 cm <sup>4</sup>	min 44.6 cm <sup>4</sup> to 1914 cm <sup>4</sup>	min 44.6 cm <sup>4</sup> to 1914 cm <sup>4</sup>
Inertia transoms (Ix: wind load)	min 45.4 cm <sup>4</sup> to 632 cm <sup>4</sup>	min 45.4 cm <sup>4</sup> to 632 cm <sup>4</sup>	min 45.4 cm <sup>4</sup> to 632 cm <sup>4</sup>	min 45.4 cm <sup>4</sup> to 632 cm <sup>4</sup>
Inertia transoms (Iy: glass load)	min 32.8 cm <sup>4</sup> to 89 cm <sup>4</sup>	min 32.8 cm <sup>4</sup> to 89 cm <sup>4</sup>	min 32.8 cm <sup>4</sup> to 89 cm <sup>4</sup>	min 32.8 cm <sup>4</sup> to 89 cm <sup>4</sup>
Glazing	fixing by pressure plate	fixing by pressure plate	clamped solution	structural sealed glazing on cassettes
Rebate height	25 mm pressure plate	25 mm	structural sealed glazing	structural sealed glazing
Glass thickness	6 mm to 44 mm	22 mm to 46 mm	27 mm to 40 mm	24 mm to 36 mm
Types of vents	all Reynaers systems top hung window (glass from 23-32 mm) POW window (glass from 22-28 mm)	all Reynaers systems vents of the CS 77 & CS 86-HI preferred	not applicable	not applicable

## PERFORMANCES

### ENERGY

Thermal Insulation <sup>(1)</sup>  
EN 10077-2

Specific test per profile combination,  
please contact your Reynaers Aluminium fabricator

### COMFORT

Acoustic performance <sup>(2)</sup>  
EN ISO 140-3; EN ISO 717-1

Rw (C; Ctr) = 34(-1;-4) dB / 48 (-2;-8) dB, depending on glazing type

Air tightness, max. test pressure <sup>(3)</sup>  
EN 12153, EN 12152

A4

Water tightness <sup>(4)</sup>  
EN 12155, EN 12154

R4	R5	R6	R7	RE
150	300	450	600	1200

Wind load resistance,  
max. test pressure <sup>(5)</sup>  
EN12179, EN13166

2000 Pa

This table shows possible classes and values of performances. The values indicated in red are the ones relevant to this system.

(1) The Uf-value measures the heat flow. The lower the Uf-value, the better the thermal insulation of the frame.

(2) The sound reduction index (Rw) measures the capacity of the sound reduction performance of the frame.

(3) The air tightness test measures the volume of air that would pass through a closed window at a certain air pressure.

(4) The water tightness testing involves applying a uniform water spray at increasing air pressure until water penetrates the window.

(5) The wind load resistance is a measure of the profile's structural strength and is tested by applying increasing levels of air pressure to simulate the wind force. There are up to five levels of wind resistance (1 to 5) and three deflection classes (A,B,C). The higher the number, the better the performance.

